

GATES INDUSTRIAL FLUID POWER

ADAPTOR CATALOGUE

CATALOG NO. 50155

EDITION 2024

SUPERSEDES 50155 (2012)



DRIVEN BY POSSIBILITY™

GATES ONE-STOP-SHOP FOR:

- **HYDRAULIC HOSES**
- **HOSE COUPLINGS**
- **HOSE ASSEMBLIES**
- **GUARDS AND SLEEVING**
- **ADAPTORS**
- **TUBE FITTING SYSTEMS**
- **SELF-ASSEMBLY MACHINERY**
- **OILFIELD PRODUCTS**
- **INDUSTRIAL HOSES**
- **ENGINEERING & SERVICES**
- **DIAGNOSTIC TOOLS**



FIND ALL AVAILABLE CATALOGUES ON [GATES.COM](https://www.gates.com)

TABLE OF CONTENTS

INTRODUCTION

HOW TO ORDER

ADAPTOR NOMENCLATURE	2
EXPLANATION OF ORDERING EXAMPLES	3
TERMINATION OVERVIEW	3

ABOUT GATES

THE MISSING LINK IN

THE HYDRAULIC CIRCUIT

YOUR TOTAL FLUID POWER SOLUTION	6
---------------------------------------	---

THE GATES ADAPTOR PROGRAMME

SUPPORTING TRUSTWORTHY SOLUTIONS

FROM PORT TO PORT

TRUSTWORTHY SOLUTIONS FROM PORT TO PORT	7
---	---

PROTECT YOUR INVESTMENT

CORROSION PROTECTION	8
----------------------------	---

STAY CONNECTED WITH GATES QUICK-LOK

ERGONOMIC ADVANTAGE AND INCREASED EFFICIENCY	10
A PROVEN TRACK RECORD	11

ADAPTOR PROGRAMME

ADAPTOR SELECTION TABLE

BSP ADAPTORS	14
JIC ADAPTORS	15
ORFS ADAPTORS	18
PRESSURE WASH ADAPTORS	19
QUICK-LOK ADAPTORS	19

BSP ADAPTORS

BSP ADAPTORS

BSP MBSPP-MBSPT	22
BSP MBSPP-MBSPP EQUAL	23
BSP MBSPP-MBSPP UNEQUAL	24
BSP MBSPP-MBSPP90BL	25
BSP MBSPP-MBSPPBKHD	25
BSP MBSPP-MBSPPACOR45	26
BSP MBSPP-MBSPPACOR90	26
BSP MBSPP-MBSPPWD	27
BSP MBSPP-MJIS (BSP)	28
BSP MBSPP-MP	28
BSP MBSPP-MB	29
BSP MBSPP-MM	30
BSP MBSPP-FBSPPX	31
BSP MBSPP-FBSPPX45BL	32
BSP MBSPP-FBSPPX90BL	33
BSP MBSPP-FBSPPX90SWT	33
BSP FBSPP-MBSPP	34
BSP FBSPP-MBSPPWD	35
BSP FBSPP-FBSPP	36
BSP FBSPPX-FBSPPX	37

BSP FBSPPX-FBSPPX90BL	38
BSP FBSPPX-FBSPPX90SWT	38
BSP MBSPP-MBSPP-MBSPP	39
BSP MBSPP-MBSPP-FBSPPX	39
BSP MBSPP-FBSPPX-MBSPP	40
BSP MBSPP-FBSPPX-FBSPPX	40
BSP FBSPPX-FBSPPX-MBSPP	41
BSP FBSPPX-FBSPPX-FBSPPX	41
BSP MBSPT-PLUG	42
BSP MBSPP-PLUG	42
BSP FBSPPX-CAP	43
BSP LOCKNUT	43

JIC ADAPTORS

JIC ADAPTORS

JIC MJ-MJ	46
JIC MJ-MJ90	47
JIC MJ-MJBKHD	47
JIC MJ-MJBKHD45	48
JIC MJ-MJBKHD90	49
JIC MJ-MBSPT	49
JIC MJ-MBSPPCOR	50
JIC MJ-MBSPPACOR45	51
JIC MJ-MBSPPACOR90	52
JIC MJ-MBSPPWD	53
JIC MJ-MP	54
JIC MJ-MP90	55
JIC MJ-MB	56
JIC MJ-MB LONG	57
JIC MJ-MBA45	57
JIC MJ-MBA90	58
JIC MJ-MBA90 LONG	59
JIC MJ-MMOR	59
JIC MJ-MMAOR90	60
JIC MJ-MMCOR	60
JIC MJ-MMACOR90	61
JIC MJ-MMWD	62
JIC MJ-MMWD LONG	63
JIC MJ-FJ FIXED	63
JIC MJ-FJX-W/N	63
JIC MJ-FJX45	64
JIC MJ-FJX45-W/N	64
JIC MJ-FJX90	65
JIC MJ-FJX90-W/N	65
JIC FJX-MJ	66
JIC FJX-MBSPPCOR	67
JIC FJX-MBSPPWD-W/N	67
JIC FJX-FJX90-W/N	68
JIC MJ-MJ-MJ	68
JIC MJ-MJBKHD-MJ	69
JIC MJ-MJ-FJX	69
JIC MJ-MJ-FJX-W/N	70
JIC MJ-FJX-MJ	70
JIC MJ-FJX-MJ-W/N	71
JIC MJ-MJ-MBSPPACOR	71
JIC MJ-MBSPPACOR-MJ	72

JIC MJ-MJ-MBA	72
JIC MJ-MBA-MJ	73
JIC MJ-PLUG	73
JIC FJ-CAP	74
JIC FJ-NUT	74
JIC-LOCKNUT	75
JIC TS METRIC	75
JIC TS IMPERIAL	76

ORFS ADAPTORS

ORFS ADAPTORS

ORFS MFFOR-MFFOR	80
ORFS MFFOR-MFFOR90	81
ORFS MFFOR-MFFORBKHD	81
ORFS MFFOR-MFFORBKHD90	82
ORFS MFFOR-MBSPP	83
ORFS MFFOR-MBSPPCOR	84
ORFS MFFOR-MBSPPACOR90	85
ORFS MFFOR-MBSPPWD	86
ORFS MFFOR-MJ	87
ORFS MFFOR-MB	88
ORFS MFFOR-MBA90	89
ORFS MFFOR-MBA90 LONG	90
ORFS MFFOR-FFORX	91
ORFS MFFOR-FFORX90	92
ORFS MFFOR-FJX	92
ORFS FFORX-MJ	93
ORFS FFORX-MBSPPWD	94
ORFS FFORX-MBA90	95
ORFS FFORX-FFORX	95
ORFS MFFOR-PLUG	96
ORFS FFORX-CAP	96
ORFS FFOR-NUT	97

PRESSURE WASH ADAPTORS

PRESSURE WASH ADAPTORS

MBSPP-MM BRASS	100
MM-MM BRASS	100
FBSPP-MM BRASS	100

QUICK-LOK ADAPTORS

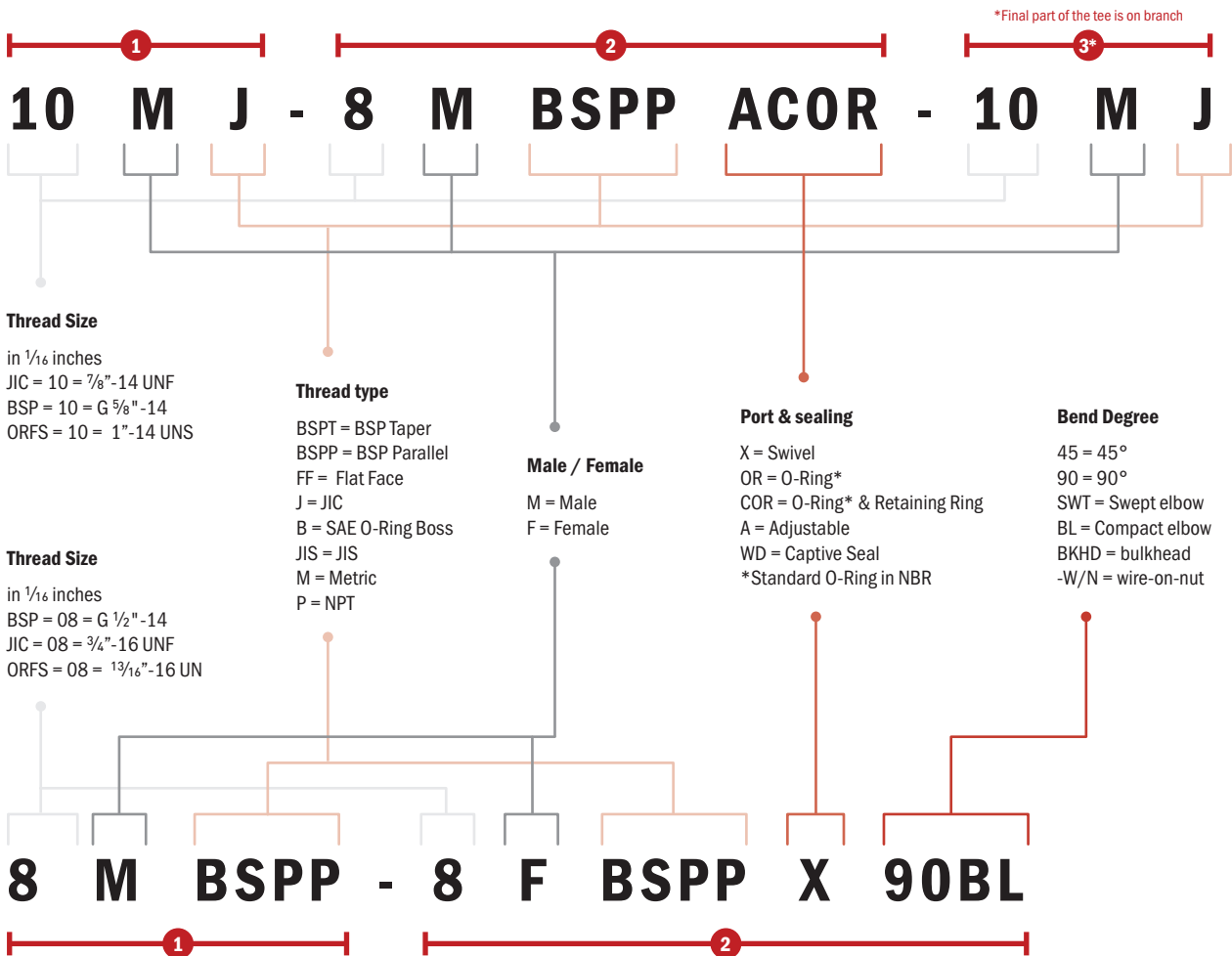
QUICK-LOK ADAPTORS

BSP MBSPP-FQLH	104
BSP MBSPPBKHD-FQLH	104
DIN MMOR-FQLH	105
SAE MB-FQLH	106
SAE MB-FQLL	106

NOTES

HOW TO ORDER

ADAPTOR NOMENCLATURE





EXPLANATION OF ORDERING EXAMPLES

ORDERING EXAMPLE 1:	
GMJ-8MBSPPACOR90	
6	= 1/16 - 18 UNF
MJ	= Male JIC
8	= 1/2 - 14
MBSPP	= Male BSP Parallel
A	= Adjustable
COR	= O-Ring & Retaining Ring
90	= 90 Degree Elbow



ORDERING EXAMPLE 2:	
16FFORX-12MBSPPWD	
16	= 1.7/16" - 12
FFORX	= Female ORFS Swivel
12	= 3/4" - 14
MBSPP	= Male BSP Parallel
WD	= Captive Seal



TERMINATION OVERVIEW

DASH SIZE	BSP	JIC	SAE	NPT	ORFS
2	1/8 - 28			Z 1/8 - 27	
4	1/4 - 19	7/16 - 20	7/16 - 20 UNF	Z 1/4 - 18	7/16 - 18
5		1/2 - 20	1/2 - 20 UNF		
6	3/8 - 19	9/16 - 18	9/16 - 18 UNF	Z 3/8 - 18	1 1/16 - 16
8	1/2 - 14	3/4 - 16	3/4 - 16 UNF	Z 1/2 - 14	1 3/16 - 16
10	5/8 - 14	7/8 - 14	7/8 - 14 UNF		1 - 14
12	3/4 - 14	1.1/16 - 12	1.1/16 - 12 UN	Z 3/4 - 14	1.3/16 - 12
14		1.3/16 - 12	1.3/16 - 12 UN		
16	1 - 11	1.5/16 - 12	1.5/16 - 12 UN	Z 1 - 11.5	1.7/16 - 12
20	1.1/4 - 11	1.5/8 - 12	1.5/8 - 12 UN	Z 1.1/4 - 11.5	1.11/16 - 12
24	1.1/2 - 11	1.7/8 - 12	1.7/8 - 12 UN	Z 1.1/2 - 11.5	2 - 12
32	2 - 11		2.1/2 - 12 UN	Z 2 - 11.5	





ABOUT GATES



THE MISSING LINK IN THE HYDRAULIC CIRCUIT

WITH THE ADDITION OF THE BSP, JIC & ORFS ADAPTOR RANGE, GATES HAS TAKEN ITS INTEGRATED APPROACH TO THE NEXT LEVEL WHERE HOSES, COUPLINGS, TUBE FITTINGS AND ADAPTORS ARE DESIGNED TOGETHER FOR OPTIMAL PERFORMANCE.

YOUR TOTAL FLUID POWER SOLUTION

The Gates Integrated System Approach offers you complete solutions to your fluid power needs. All our hydraulic products are manufactured to stern tolerances and are specifically designed, tested and validated together. This is why our entire hydraulic product line works together perfectly, ensuring you a leak-free operation. And this is why Gates is the reference in the market



ABOUT GATES

BSP ADAPTORS

JIC ADAPTORS

ORFS ADAPTORS

PRESSURE WASH
ADAPTORS

QUICK-LOK
ADAPTORS

THE GATES ADAPTOR PROGRAMME SUPPORTING TRUSTWORTHY SOLUTIONS FROM PORT TO PORT

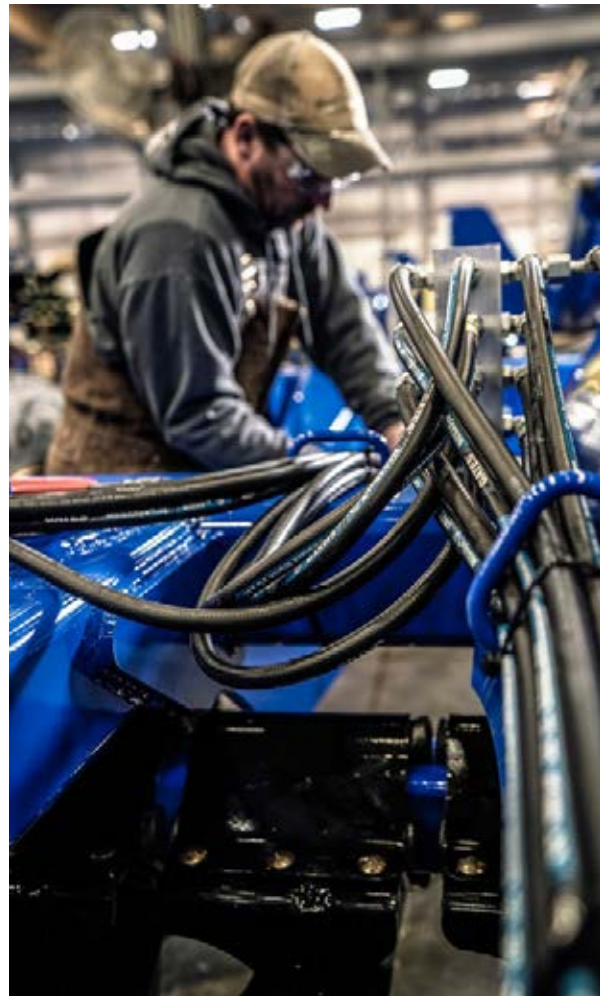
WITH GATES' HYDRAULIC ADAPTOR RANGE, WE HAVE EVERYTHING IN PLACE TO BE YOUR PREFERRED ONE-STOP-SHOP.

TRUSTWORTHY SOLUTIONS FROM PORT TO PORT

Gates BSP, JIC & ORFS adaptors complete the hydraulic circuit and from now on, you can rely on trusted Gates quality products to do that job! This versatile and competitively priced product range covers most of the European needs. The programme provides you with a well-balanced stock mix that limits your distribution investment but ensures that you always have the right part at hand for an optimal response time to any breakdown helping you to maximise profit. The adaptors are available in a wide array of sizes and configurations:

- Jump size adaptors – to reduce or expand the existing thread
- Thread conversion adaptors – to change from one port thread to another to allow tube fitting or hose connections to be made
- Hose coupling adaptors – hose to port, hose to hose, etc.

Ready for the future and the next generation of hydraulic connections. Check out the Gates Quick-Lock™ adaptors - available in the most common international termination types - allowing you to easily change from threaded connections to Quick-Lock High couplings (See page 103).





PROTECT YOUR INVESTMENT

GATES ADAPTORS OFFER YOU THE LONGIVITY YOUR APPLICATION NEEDS: 500H PROTECTION AGAINST RED RUST PER ISO 9227 STANDARD.

Especially in environments with high presence of chemicals, fertilizers, rain, mud, high humidity, salts, air pollution, ... the corrosion process is easily accelerated. Most metals are easily oxidized, leading to less robustness of metal componentry of which off-highway vehicles have plenty. Once corrosion starts, it can easily and quickly spread from one component in the hydraulic circuit to another, e.g., from the adaptor to the port or from the adaptor to the hose coupling.

Next to the environmental and direct cost impact of corrosion, meaning replacing the corroded component, there are several indirect costs involved as well. One of the main indirect costs is machine downtime either during preventive maintenance or machine breakdown. The longer it takes, the higher the downtime cost and the higher the chance a project will have to deal with delays and reputational damage. More concerning, however, is the fact that corrosion can lead to safety concerns with loss of life as a worst-case scenario.

Hence, Gates implemented an adaptor plating standard guaranteeing a minimum protection of 168 hours against white rust corrosion and 500 hours against red rust under ISO 9227 test conditions, which is nearly 350% greater than the SAE J516 144-hour standard (ISO 8434 requests 72 hours as a minimum). Above standard plating surfaces equal less downtime, less safety risks and increased product sustainability.

DID YOU KNOW?

The annual worldwide cost of metallic corrosion is estimated to be over a trillion euro, yet with proper corrosion protection a significant percentage of it can be prevented.



**500 HOURS
AGAINST RED RUST**



STAY CONNECTED WITH GATES QUICK-LOK

With machines becoming more compact and power intensive, designing and manufacturing hydraulic platforms for a worldwide market is a difficult challenge.

That's because environmental controls aimed at preventing hydraulic leaks are becoming more stringent, while manufacturers are demanding greater production line output. With existing threaded technology, meeting all these strict criteria in an efficient way isn't easy. That's where Gates Quick-Lok comes in.



**SAVE TIME, LOWER COSTS
AND REDUCE THE AMOUNT
OF RE-WORK AND NUMBER
OF WARRANTY CLAIMS.**



ERGONOMIC ADVANTAGE AND INCREASED EFFICIENCY

Quick-Lok couplings are threadless. With threading eliminated, torque settings are not required and both line side connection tooling and installation difficulties are no longer an issue. The easy installation process allows you to use Quick-Lok even in the most confined spaces often found in today's compact machines.

You also benefit from the cost-saving advantages that Quick-Lok delivers; for example, there is no need to invest in a vast range of expensive assembly tools or a skilled assembly labour force.

Plus, any kind of operator-dependent variation in the connection process (which would add re-working time and cost) is completely ruled out. And Quick-Lok couplings are safer and more ergonomic as well.

They simply push into place, reducing tiredness among the work force.

WORK SMARTER, NOT HARDER

- **Faster:** Quicker assembly times lead to improved manufacturing productivity
- **Easier:** With Quick-Lok, couplings click into place to ensure positive engagement every time
- **Smarter:** The connection process is error-proof, providing positive tactile feedback that the connection has been made
- **Simpler:** Verification is simple, and just requires the operator to pull back gently on the hose after connection.

With your assembly and check-up time reduced, your production output is optimised, simply by using the most cost-effective product. In addition, no assembly time is lost because of the need to re-work improperly torqued connections – all of which is good news for your business.

FIELD TESTS HAVE SHOWN THAT QUICK-LOK CONNECTIONS WERE MADE 10X FASTER THAN STANDARD THREADED CONNECTIONS.

A PROVEN TRACK RECORD

We manufacture connections to ensure the highest integrity in port-to-port solutions. How? Quick-Lok connectors are produced from hardened steel and machined to extremely high tolerances. They have undergone rigorous testing under actual and simulated field conditions to confirm their strength and sealing ability. The Quick-Lok coupling family is proven to stand up to impulse loads, side loads, flex conditions, vibration, temperature extremes and vacuum conditions.

TESTED, PROTECTED, SELECTED

- Quick-Lok has been tested to ensure that the push-in force is high enough to provide positive feedback that a connection has been made, but low enough to allow easy assembly on the line
- In terms of corrosion resistance properties, all Quick-Lok couplings and adaptors are protected with our chromium 6 free TuffCoat™ plating, showing a red corrosion resistance of at least 500 hours
- That's why Quick-Lok couplings have been embraced by Original Equipment Manufacturers (OEM) around the world



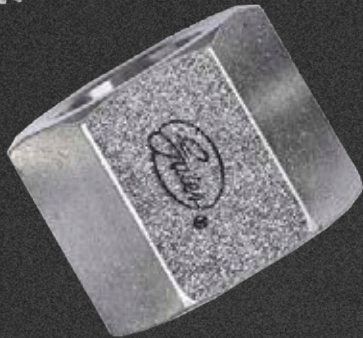
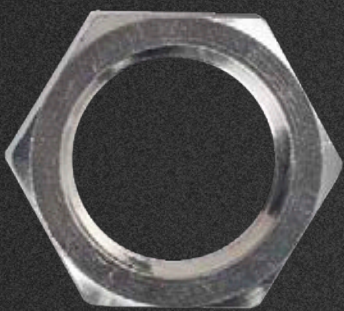
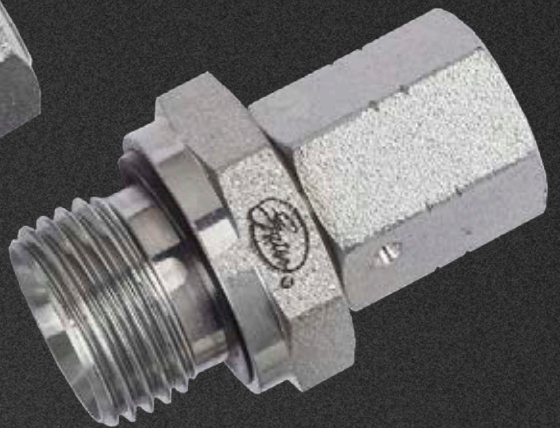
LOWERING TOTAL COST OF OWNERSHIP

Threadless connectors have developed a reputation as expensive niche products for limited applications.

Gates have changed this with the introduction of Quick-Lok assemblies, which are able to replace threaded couplings in a wide range of applications. Our research has shown that by reducing installation and warranty costs, a Quick-Lok assembly solution can dramatically lower total OEM cost of ownership over a comparable threaded assembly.



**FIND OUT MORE ABOUT
THE QUICK-LOK RANGE**





DRIVEN BY POSSIBILITY™

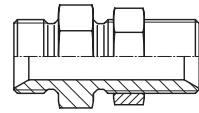
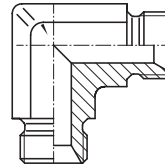
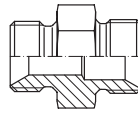
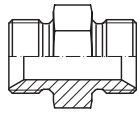
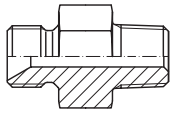
ADAPTOR PROGRAMME





BSP ADAPTORS

MBSP



MBSP-MBSPT
p. 22

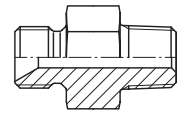
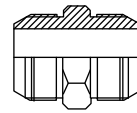
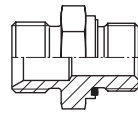
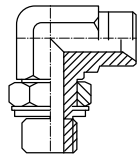
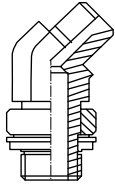
MBSP-MBSPP EQUAL
p. 23

MBSP-MBSPP UNEQUAL
p. 24

MBSP-MBSPP90BL
p. 25

MBSP-MBSPPBKHD
p. 25

MBSP



MBSP-MBSPPACOR45
p. 26

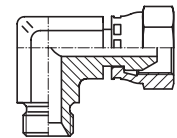
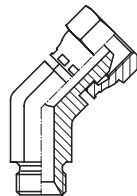
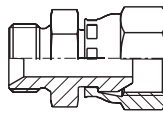
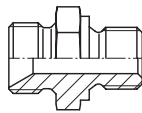
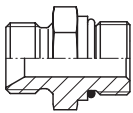
MBSP-MBSPPACOR90
p. 26

MBSP-MBSPPWD
p. 27

MBSP-MJIS (BSP)
p. 28

MBSP-MP
p. 28

MBSP



MBSP-MB
p. 29

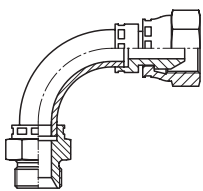
MBSP-MM
p. 30

MBSP-FBSPPX
p. 31

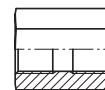
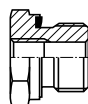
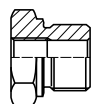
MBSP-FBSPPX45BL
p. 32

MBSP-FBSPPX90BL
p. 33

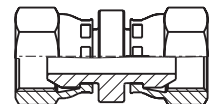
MBSP



FBSP



FBSPPX



MBSP-FBSPPX90SWT
p. 33

FBSP-MBSPP
p. 34

FBSP-MBSPPWD
p. 35

FBSP-FBSPP
p. 36

FBSPPX-FBSPPX
p. 37



FBSPPX		MBSPP		
FBSPPX-FBSPPX90BL p. 38	FBSPPX-FBSPPX90SWT p. 38	MBSPP-MBSPP-MBSPP p. 39	MBSPP-MBSPP-FBSPPX p. 39	MBSPP-FBSPPX-MBSPP p. 40

MBSPP	FBSPPX		PLUG	
MBSPP-FBSPPX-FBSPPX p. 40	FBSPPX-FBSPPX-MBSPP p. 41	FBSPPX-FBSPPX-FBSPPX p. 41	MBSPT-PLUG p. 42	MBSPP-PLUG p. 42

CAP	LOCKNUT
FBSPPX-CAP p. 43	BSP LOCKNUT p. 43

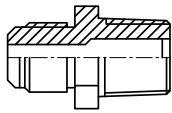
JIC ADAPTORS

MJ

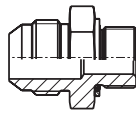
MJ-MJ p. 46	MJ-MJ90 p. 47	MJ-MJBKHD p. 47	MJ-MJBKHD45 p. 48	MJ-MJBKHD90 p. 49



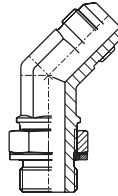
MJ



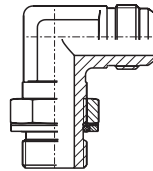
MJ-MBSPT
p. 49



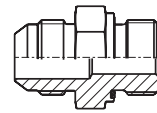
MJ-MBSPPCOR
p. 50



MJ-MBSPPACOR45
p. 51

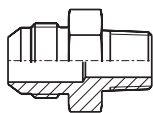


MJ-MBSPPACOR90
p. 52

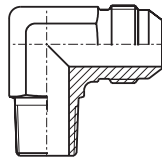


MJ-MBSPPWD
p. 53

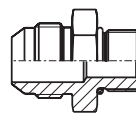
MJ



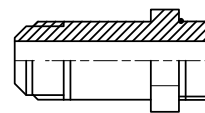
MJ-MP
p. 54



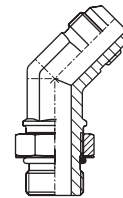
MJ-MP90
p. 55



MJ-MB
p. 56

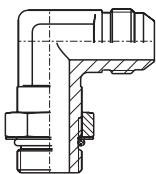


MJ-MB LONG
p. 57

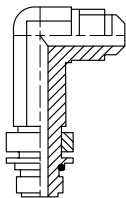


MJ-MBA45
p. 57

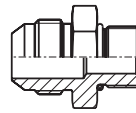
MJ



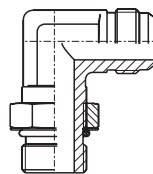
MJ-MBA90
p. 58



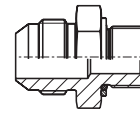
MJ-MBA90 LONG
p. 59



MJ-MMOR
p. 59

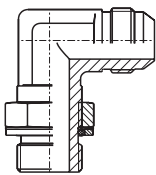


MJ-MMAOR90
p. 60

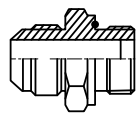


MJ-MMCOR
p. 60

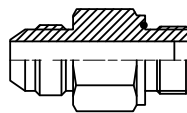
MJ



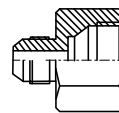
MJ-MMACOR90
p. 61



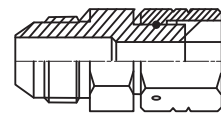
MJ-MMWD
p. 62



MJ-MMWD LONG
p. 63

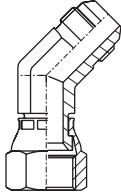
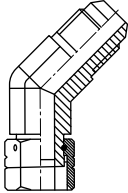
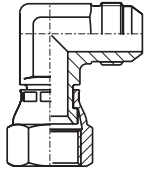
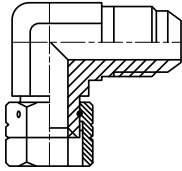
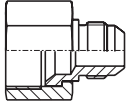


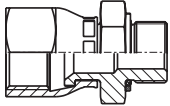
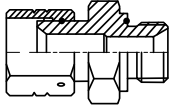
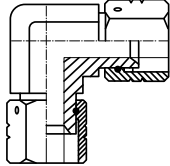
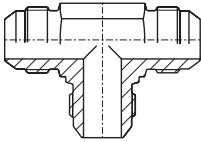
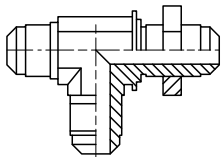
MJ-FJ FIXED
p. 63

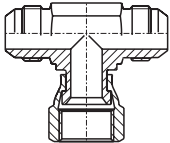
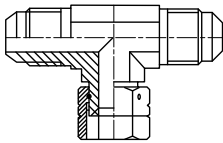
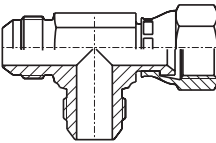
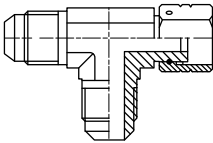
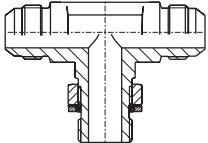


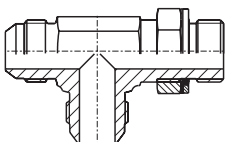
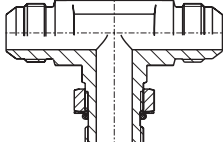
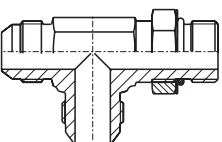
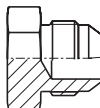
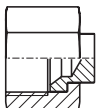
MJ-FJX-W/N
p. 63




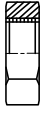
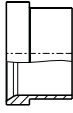
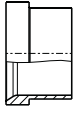
MJ				FJX
				
MJ-FJX45 p. 64	MJ-FJX45-W/N p. 64	MJ-FJX90 p. 65	MJ-FJX90-W/N p. 65	FJX-MJ p. 66

FJX			MJ	
				
FJX-MBSPPCOR p. 67	FJX-MBSPPWD-W/N p. 67	FJX-FJX90-W/N p. 68	MJ-MJ-MJ p. 68	MJ-MJBKHD-MJ p. 69

MJ				
				
MJ-MJ-FJX p. 69	MJ-MJ-FJX-W/N p. 70	MJ-FJX-MJ p. 70	MJ-FJX-MJ-W/N p. 71	MJ-MJ-MBSPPACOR p. 71

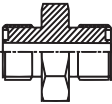
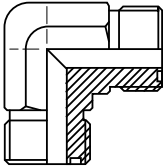
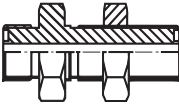
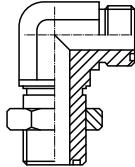
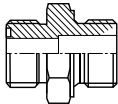
MJ			PLUG	CAP
				
MJ-MBSPPACOR-MJ p. 72	MJ-MJ-MBA p. 72	MJ-MBA-MJ p. 73	MJ-PLUG p. 73	FJ-CAP p. 74



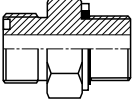
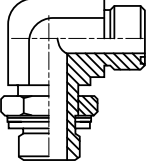
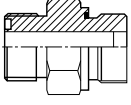
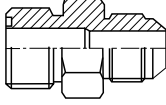
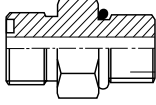
NUT		LOCKNUT		SLEEVES	
					
FJ-NUT p. 74	LOCKNUT p. 75	TS METRIC p. 75	TS IMPERIAL p. 76		

ORFS ADAPTORS

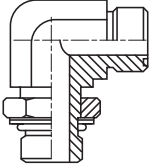
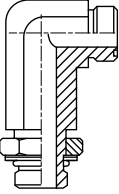
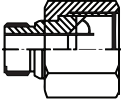
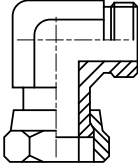
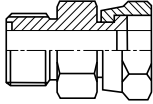
MFFOR

				
MFFOR-MFFOR p. 80	MFFOR-MFFOR90 p. 81	MFFOR-MFFORBKHD p. 81	MFFOR-MFFORBKHD90 p. 82	MFFOR-MBSPP p. 83

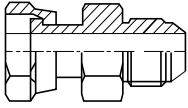
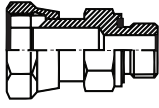
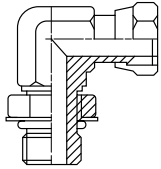
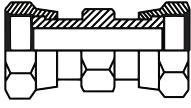
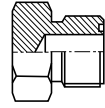
MFFOR

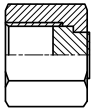
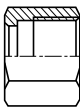
				
MFFOR-MBSPPCOR p. 84	MFFOR-MBSPPACOR90 p. 85	MFFOR-MBSPPWD p. 86	MFFOR-MJ p. 87	MFFOR-MB p. 88

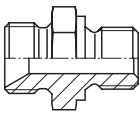
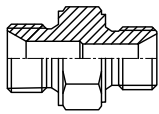
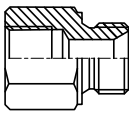
MFFOR

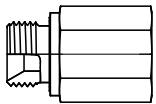
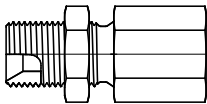
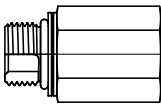
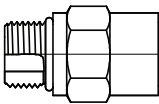
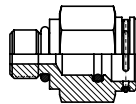
				
MFFOR-MBA90 p. 89	MFFOR-MBA90 LONG p. 90	MFFOR-FFORX p. 91	MFFOR-FFORX90 p. 92	MFFOR-FJX p. 92



FFORX				PLUG
				
FFORX-MJ p. 93	FFORX-MBSPPWD p. 94	FFORX-MBA90 p. 95	FFORX-FFORX p. 95	MFFOR-PLUG p. 96

CAP	NUT
	
FFORX-CAP p. 96	FFOR-NUT p. 97

PRESSURE WASH ADAPTORS		
MBSPP	MM	FBSP
		
MBSPP-MM BRASS p. 100	MM-MM BRASS p. 100	FBSP-MM BRASS p. 100

QUICK-LOK ADAPTORS				
MBSP		MMOR	SAE MB	
				
BSP MBSP-FQLH p. 104	BSP MBSPBKHD-FQLH p. 104	DIN MMOR-FQLH p. 105	SAE MB-FQLH p. 106	SAE MB-FQLL p. 106





DRIVEN BY POSSIBILITY™



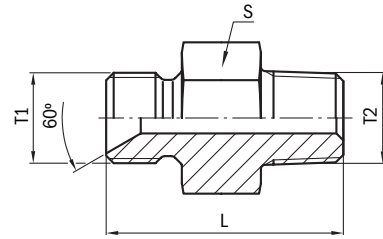
BSP ADAPTORS





BSP MBSP-MBSPT

BSPP 60° male /male BSPT taper

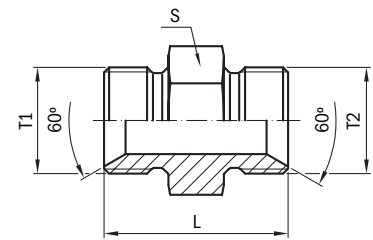


THREAD		LENGTH	HEX/FLATS	WORKING PRESSURE	ADAPTOR
T1	T2	L	S	WP	REF.
BSP	BSPT	mm	mm	bar	BSP
1/8"-28	1/8"-28	24.0	12.0	345	2MBSPP-2MBSPT
1/8"-28	1/4"-19	30.5	14.0	345	2MBSPP-4MBSPT
1/4"-19	1/8"-28	29.0	14.0	345	4MBSPP-2MBSPT
1/4"-19	1/4"-19	33.0	14.0	345	4MBSPP-4MBSPT
1/4"-19	3/8"-19	33.0	17.0	345	4MBSPP-6MBSPT
1/4"-19	1/2"-14	39.0	22.0	345	4MBSPP-8MBSPT
3/8"-19	1/4"-19	35.0	17.0	345	6MBSPP-4MBSPT
3/8"-19	3/8"-19	35.0	17.0	345	6MBSPP-6MBSPT
3/8"-19	1/2"-14	39.0	22.0	345	6MBSPP-8MBSPT
3/8"-19	3/4"-14	41.0	27.0	275	6MBSPP-12MBSPT
1/2"-14	1/4"-19	37.0	22.0	315	8MBSPP-4MBSPT
1/2"-14	3/8"-19	40.0	22.0	315	8MBSPP-6MBSPT
1/2"-14	1/2"-14	44.0	22.0	315	8MBSPP-8MBSPT
1/2"-14	3/4"-14	44.0	27.0	275	8MBSPP-12MBSPT
3/4"-14	1/2"-14	45.0	27.0	250	12MBSPP-8MBSPT
3/4"-14	3/4"-14	46.0	27.0	250	12MBSPP-12MBSPT
3/4"-14	1"-11	51.0	36.0	205	12MBSPP-16MBSPT
3/4"-1/4	1 1/4"-11	56.0	46.0	170	12MBSPP-20MBSPT
1"-11	3/4"-14	53.0	36.0	200	16MBSPP-12MBSPT
1"-11	1"-11	56.0	36.0	200	16MBSPP-16MBSPT
1"-11	1 1/4"-11	58.0	46.0	170	16MBSPP-20MBSPT
1 1/4"-11	3/4"-14	56.0	50.0	160	20MBSPP-12MBSPT
1 1/4"-11	1"-11	60.0	50.0	160	20MBSPP-16MBSPT
1 1/4"-11	1 1/4"-11	57.0	46.0	160	20MBSPP-20MBSPT
1 1/4"-11	1 1/2"-11	62.0	50.0	105	20MBSPP-24MBSPT
1 1/2"-11	1 1/4"-11	63.0	55.0	125	24MBSPP-20MBSPT
1 1/2"-11	1 1/2"-11	62.0	50.0	105	24MBSPP-24MBSPT
2"-11	2"-11	70.0	65.0	105	32MBSPP-32MBSPT



BSP MBSPP-MBSPP EQUAL

BSPP 60° male / male equal

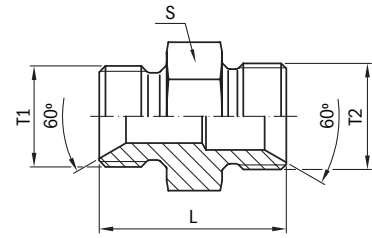


THREAD		LENGTH	HEX/FLATS	WORKING PRESSURE	ADAPTOR
T1	T2	L	S	WP	REF.
BSPP	BSPP	mm	mm	bar	BSP
1/8"-28	1/8"-28	26.5	14.0	350	2MBSPP-2MBSPP
1/4"-19	1/4"-19	30.0	19.0	350	4MBSPP-4MBSPP
3/8"-19	3/8"-19	35.0	22.0	350	6MBSPP-6MBSPP
1/2"-14	1/2"-14	40.0	27.0	315	8MBSPP-8MBSPP
5/8"-14	5/8"-14	43.0	30.0	315	10MBSPP-10MBSPP
3/4"-14	3/4"-14	45.0	32.0	250	12MBSPP-12MBSPP
1"-11	1"-11	53.0	41.0	200	16MBSPP-16MBSPP
1.1/4"-11	1.1/4"-11	57.0	50.0	160	20MBSPP-20MBSPP
1.1/2"-11	1.1/2"-11	61.0	55.0	125	24MBSPP-24MBSPP
2"-11	2"-11	70.0	70.0	80	32MBSPP-32MBSPP



BSP MBSP-MBSP UNEQUAL

BSPP 60° male / male unequal

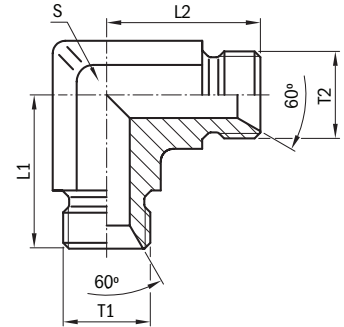


THREAD		LENGTH	HEX/FLATS	WORKING PRESSURE	ADAPTOR
T1	T2	L	S	WP	REF.
BSPP	BSPP	mm	mm	bar	BSP
1/8"-28	1/4"-19	28.0	19.0	350	2MBSP-4MBSP
1/8"-28	3/8"-19	32.0	22.0	350	2MBSP-6MBSP
1/8"-28	1/2"-14	37.0	27.0	315	2MBSP-8MBSP
1/4"-19	3/8"-19	34.0	22.0	350	4MBSP-6MBSP
1/4"-19	1/2"-14	37.0	27.0	315	4MBSP-8MBSP
1/4"-19	5/8"-14	39.0	30.0	315	4MBSP-10MBSP
1/4"-19	3/4"-14	41.0	32.0	250	4MBSP-12MBSP
1/4"-19	1"-11	45.0	41.0	200	4MBSP-16MBSP
3/8"-19	1/2"-14	40.0	27.0	315	6MBSP-8MBSP
3/8"-19	5/8"-14	40.0	30.0	315	6MBSP-10MBSP
3/8"-19	3/4"-14	41.0	32.0	250	6MBSP-12MBSP
3/8"-19	1"-11	46.0	41.0	200	6MBSP-16MBSP
1/2"-14	5/8"-14	42.0	30.0	315	8MBSP-10MBSP
1/2"-14	3/4"-14	45.0	32.0	250	8MBSP-12MBSP
1/2"-14	1"-11	48.0	41.0	200	8MBSP-16MBSP
1/2"-14	1 1/4"-11	53.0	50.0	160	8MBSP-20MBSP
5/8"-14	3/4"-14	43.0	32.0	250	10MBSP-12MBSP
5/8"-14	1"-11	50.0	41.0	200	10MBSP-16MBSP
3/4"-14	1"-11	50.0	41.0	200	12MBSP-16MBSP
3/4"-14	1 1/4"-11	53.0	50.0	160	12MBSP-20MBSP
1"-11	1 1/4"-11	57.0	50.0	160	16MBSP-20MBSP
1"-11	1 1/2"-11	56.0	55.0	125	16MBSP-24MBSP
1"-11	2"-11	60.0	70.0	80	16MBSP-32MBSP
1 1/4"-11	1 1/2"-11	60.0	55.0	125	20MBSP-24MBSP
1 1/4"-11	2"-11	65.0	70.0	80	20MBSP-32MBSP
1 1/2"-11	2"-11	67.0	70.0	80	24MBSP-32MBSP



BSP MBSPP-MBSPP90BL

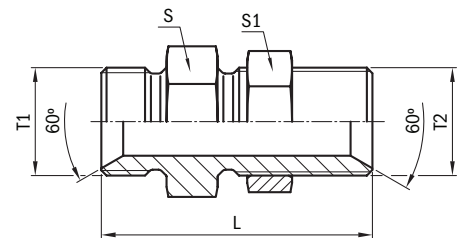
BSPP 60° male / male 90° compact elbow



THREAD		LENGTH		HEX/FLATS	WORKING PRESSURE	ADAPTOR
T1	T2	L1	L2	S	WP	REF.
BSPP	BSPP	mm	mm	mm	bar	BSP
1/4"-19	1/4"-19	27.0	27.0	14.0	350	4MBSPP-4MBSPP90BL
3/8"-19	3/8"-19	29.0	29.0	19.0	350	6MBSPP-6MBSPP90BL
1/2"-14	1/2"-14	34.0	34.0	22.0	315	8MBSPP-8MBSPP90BL
3/4"-14	3/4"-14	43.0	43.0	27.0	250	12MBSPP-12MBSPP90BL
1"-11	1"-11	48.0	48.0	33.0	200	16MBSPP-16MBSPP90BL

BSP MBSPP-MBSPPBKHD

BSPP 60° male / male straight bulkhead with lock nut

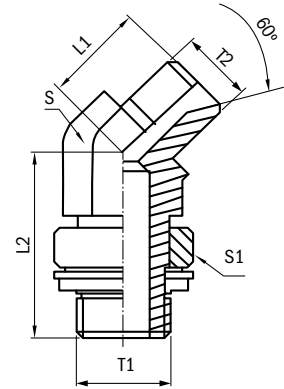


THREAD		LENGTH	HEX/FLATS		WORKING PRESSURE	ADAPTOR
T1	T2	L	S	S1	WP	REF.
BSPP	BSPP	mm	mm	mm	bar	BSP
1/8"-28	1/8"-28	41.5	14.0	14.0	350	2MBSPP-2MBSPPBKHD
1/4"-19	1/4"-19	46.0	19.0	19.0	350	4MBSPP-4MBSPPBKHD
3/8"-19	3/8"-19	52.0	22.0	22.0	350	6MBSPP-6MBSPPBKHD
1/2"-14	1/2"-14	59.0	27.0	27.0	315	8MBSPP-8MBSPPBKHD
5/8"-14	5/8"-14	63.0	30.0	30.0	315	10MBSPP-10MBSPPBKHD
3/4"-14	3/4"-14	66.0	32.0	32.0	250	12MBSPP-12MBSPPBKHD
1"-11	1"-11	75.0	41.0	41.0	200	16MBSPP-16MBSPPBKHD
1.1/4"-11	1.1/4"-11	83.0	50.0	50.0	160	20MBSPP-20MBSPPBKHD
1.1/2"-11	1.1/2"-11	93.0	55.0	55.0	125	24MBSPP-24MBSPPBKHD
2"-11	2"-11	100.0	70.0	70.0	125	32MBSPP-32MBSPPBKHD



BSP MBSP-MSPPACOR45

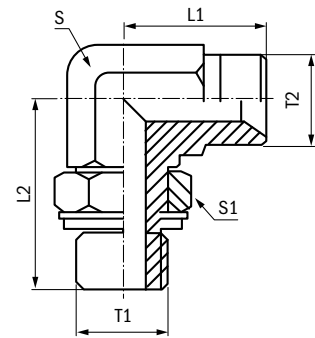
BSPP 60° male / adjustable male BSPP 45° elbow with O-Ring and retaining ring



THREAD		LENGTH		HEX/FLATS		WORKING PRESSURE	ADAPTOR
T1	T2	L1	L2	S	S1	WP	REF.
BSPP	BSPP	mm	mm	mm	mm	bar	BSP
3/8"-19	3/8"-19	21.0	33.0	19.0	22.0	200	6MBSPP-6MBSPPACOR45
1/2"-14	1/2"-14	24.3	38.6	22.0	27.0	200	8MBSPP-8MBSPPACOR45

BSP MBSP-MSPPACOR90

BSPP 60° male / adjustable male BSPP 90° elbow with O-Ring and retaining ring



THREAD		LENGTH		HEX/FLATS		WORKING PRESSURE	ADAPTOR
T1	T2	L1	L2	S	S1	WP	REF.
BSPP	BSPP	mm	mm	mm	mm	bar	BSP
1/8"-28	1/8"-28	22.5	26.0	11.0	14.0	200	2MBSPP-2MBSPPACOR90
1/4"-19	1/4"-19	27.0	31.5	14.0	19.0	200	4MBSPP-4MBSPPACOR90
3/8"-19	3/8"-19	29.0	37.0	19.0	22.0	200	6MBSPP-6MBSPPACOR90
3/8"-19	1/2"-14	32.0	43.0	22.0	27.0	200	6MBSPP-8MBSPPACOR90
1/2"-14	1/2"-14	34.0	43.0	22.0	27.0	200	8MBSPP-8MBSPPACOR90

INTRODUCTION

BSP ADAPTORS

JIC ADAPTORS

ORFS ADAPTORS

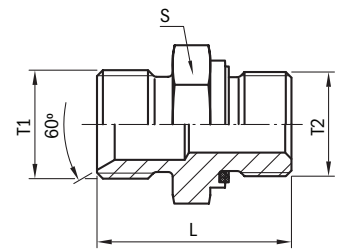
PRESSURE WASH ADAPTORS

QUICK-LOK ADAPTORS



BSP MBSPP-MBSPPWD

BSPP 60° male / male with captive seal

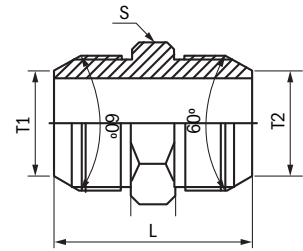


THREAD		LENGTH	HEX/FLATS	WORKING PRESSURE	ADAPTOR
T1	T2	L	S	WP	REF.
BSPP	BSPP	mm	mm	bar	BSP
1/8"-28	1/8"-28	25.5	14.0	350	2MBSPP-2MBSPPWD
1/8"-28	1/4"-19	30.0	19.0	350	2MBSPP-4MBSPPWD
1/4"-19	1/8"-28	37.5	19.0	350	4MBSPP-2MBSPPWD
1/4"-19	1/4"-19	32.0	19.0	350	4MBSPP-4MBSPPWD
1/4"-19	3/8"-19	34.0	22.0	350	4MBSPP-6MBSPPWD
1/4"-19	1/2"-14	39.0	27.0	350	4MBSPP-8MBSPPWD
1/4"-19	3/4"-14	40.0	32.0	350	4MBSPP-12MBSPPWD
3/8"-19	1/8"-28	30.0	22.0	350	6MBSPP-2MBSPPWD
3/8"-19	1/4"-19	34.5	22.0	350	6MBSPP-4MBSPPWD
3/8"-19	3/8"-19	35.0	22.0	350	6MBSPP-6MBSPPWD
3/8"-19	1/2"-14	37.0	27.0	350	6MBSPP-8MBSPPWD
3/8"-19	3/4"-14	43.5	32.0	350	6MBSPP-12MBSPPWD
3/8"-19	1"-11	47.5	41.0	350	6MBSPP-16MBSPPWD
1/2"-14	1/4"-19	40.0	27.0	315	8MBSPP-4MBSPPWD
1/2"-14	3/8"-19	40.0	27.0	315	8MBSPP-6MBSPPWD
1/2"-14	1/2"-14	42.0	27.0	315	8MBSPP-8MBSPPWD
1/2"-14	3/4"-14	43.0	32.0	315	8MBSPP-12MBSPPWD
1/2"-14	1"-11	49.5	41.0	315	8MBSPP-16MBSPPWD
3/4"-14	1/4"-19	41.5	32.0	250	12MBSPP-4MBSPPWD
3/4"-14	3/8"-19	42.0	32.0	250	12MBSPP-6MBSPPWD
3/4"-14	1/2"-14	44.5	32.0	250	12MBSPP-8MBSPPWD
3/4"-14	3/4"-14	47.0	32.0	250	12MBSPP-12MBSPPWD
3/4"-14	1"-11	52.5	41.0	250	12MBSPP-16MBSPPWD
1"-11	1/2"-14	50.5	41.0	200	16MBSPP-8MBSPPWD
1"-11	3/4"-14	52.5	41.0	200	16MBSPP-12MBSPPWD
1"-11	1"-11	54.5	41.0	200	16MBSPP-16MBSPPWD
1.1/4"-11	3/4"-14	52.5	50.0	160	20MBSPP-12MBSPPWD



BSP MBSP-MJIS (BSP)

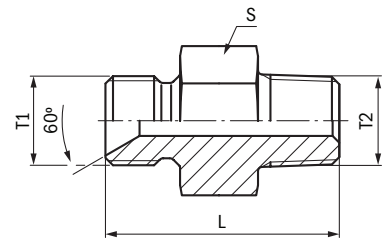
BSPP 60° male / male JIS. BSP thread



THREAD		LENGTH	HEX/FLATS	WORKING PRESSURE	ADAPTOR
T1	T2	L	S	WP	REF.
BSPP	JIS	mm	mm	bar	BSP
1/4"-19	1/4"-19	34.0	19.0	345	4MBSP-4MJIS(BSP)

BSP MBSP-MP

BSPP 60° male / male NPT

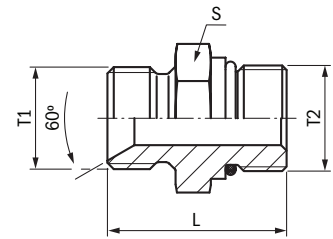


THREAD		LENGTH	HEX/FLATS	WORKING PRESSURE	ADAPTOR
T1	T2	L	S	WP	REF.
BSPP	NPT	mm	mm	bar	BSP
1/4"-19	1/4"-18	33.0	19.0	275	4MBSP-4MP
3/8"-19	3/8"-18	37.5	22.0	210	6MBSP-6MP
1/2"-14	1/2"-14	45.5	27.0	210	8MBSP-8MP
3/4"-14	3/4"-14	49.0	32.0	170	12MBSP-12MP
1"-11	1" - 11.5	57.0	41.0	140	16MBSP-16MP
2"-11	2" - 11.5	68.2	70.0	70	32MBSP-32MP



BSP MBSPP-MB

BSPP 60° male /male SAE 'O' Ring boss

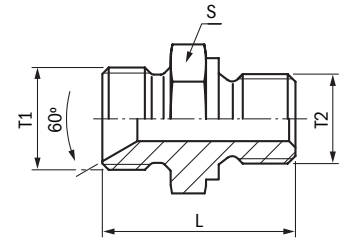


THREAD		LENGTH	HEX/FLATS	WORKING PRESSURE	ADAPTOR
T1	T2	L	S	WP	REF.
BSPP	SAE O	mm	mm	bar	BSP
1/4"-19	7/16" - 20 UNF	29.5	19.0	315	4MBSPP-4MB
1/4"-19	1/2" - 20 UNF	29.2	19.0	315	4MBSPP-5MB
1/4"-19	9/16" - 18 UNF	30.0	19.0	315	4MBSPP-6MB
1/4"-19	3/4" - 16 UNF	32.0	22.0	315	4MBSPP-8MB
3/8"-19	7/16" - 20 UNF	32.8	22.0	315	6MBSPP-4MB
3/8"-19	9/16" - 18 UNF	33.5	22.0	315	6MBSPP-6MB
3/8"-19	3/4" - 16 UNF	33.0	22.0	315	6MBSPP-8MB
3/8"-19	7/8" - 14 UNF	36.5	27.0	250	6MBSPP-10MB
3/8"-19	1 1/16" - 12 UN	40.0	32.0	250	6MBSPP-12MB
1/2"-14	3/4" - 16 UNF	40.0	27.0	315	8MBSPP-8MB
1/2"-14	7/8" - 14 UNF	38.7	27.0	250	8MBSPP-10MB
1/2"-14	1 1/16" - 12 UN	42.0	32.0	250	8MBSPP-12MB
5/8"-14	7/8" - 14 UNF	42.5	30.0	250	10MBSPP-10MB
5/8"-14	1 1/16" - 12 UN	43.5	32.0	250	10MBSPP-12MB
3/4"-14	3/4" - 16 UNF	43.8	32.0	250	12MBSPP-8MB
3/4"-14	7/8" - 14 UNF	43.5	32.0	250	12MBSPP-10MB
3/4"-14	1 1/16" - 12 UN	44.5	32.0	250	12MBSPP-12MB
3/4"-14	1 5/16" - 12 UN	46.0	41.0	200	12MBSPP-16MB
1"-11	1 1/16" - 12 UN	51.0	41.0	200	16MBSPP-12MB
1"-11	1 5/16" - 12 UN	46.1	41.0	200	16MBSPP-16MB



BSP MBSP-MM

BSPP 60° male / male metric

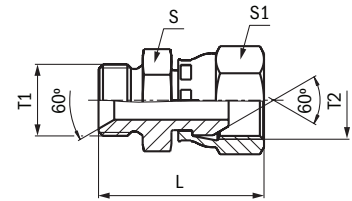


THREAD		LENGTH	HEX/FLATS	WORKING PRESSURE	ADAPTOR
T1	T2	L	S	WP	REF.
BSPP	METRIC	mm	mm	bar	BSP
1/4"-19	M10x1	28.5	19.0	350	4MBSPP-10MM
1/4"-19	M12x1.5	33.0	19.0	350	4MBSPP-12MM
1/4"-19	M14x1.5	33.0	19.0	350	4MBSPP-14MM
1/4"-19	M16x1.5	33.5	22.0	350	4MBSPP-16MM
1/4"-19	M18x1.5	35.0	24.0	350	4MBSPP-18MM
1/4"-19	M20x1.5	37.5	27.0	350	4MBSPP-20MM
1/4"-19	M22x1.5	38.0	27.0	350	4MBSPP-22MM
3/8"-19	M12x1.5	34.5	22.0	350	6MBSPP-12MM
3/8"-19	M14x1.5	34.5	22.0	350	6MBSPP-14MM
3/8"-19	M16x1.5	34.5	22.0	350	6MBSPP-16MM
3/8"-19	M18x1.5	36.0	24.0	350	6MBSPP-18MM
3/8"-19	M20x1.5	38.5	27.0	350	6MBSPP-20MM
3/8"-19	M22x1.5	38.5	27.0	350	6MBSPP-22MM
1/2"-14	M12x1.5	37.0	27.0	315	8MBSPP-12MM
1/2"-14	M14x1.5	38.0	27.0	315	8MBSPP-14MM
1/2"-14	M16x1.5	38.0	27.0	315	8MBSPP-16MM
1/2"-14	M18x1.5	38.5	27.0	315	8MBSPP-18MM
1/2"-14	M20x1.5	40.5	27.0	315	8MBSPP-20MM
1/2"-14	M22x1.5	41.0	27.0	315	8MBSPP-22MM
1/2"-14	M24x1.5	41.0	30.0	315	8MBSPP-24MM
1/2"-14	M26x1.5	45.0	32.0	315	8MBSPP-26MM
3/4"-14	M18x1.5	43.0	32.0	250	12MBSPP-18MM
3/4"-14	M22x1.5	42.0	32.0	250	12MBSPP-22MM
3/4"-14	M26x1.5	44.0	32.0	250	12MBSPP-26MM
1"-11	M22x1.5	49.0	41.0	200	16MBSPP-22MM
1"-11	M26x1.5	49.0	41.0	200	16MBSPP-26MM



BSP MBSPP-FBSPPX

BSPP 60° male / female swivel

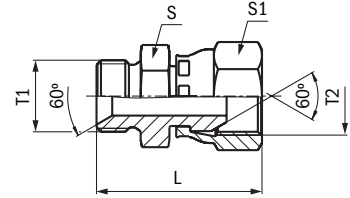


THREAD		LENGTH L	HEX/FLATS		WORKING PRESSURE WP	ADAPTOR REF.
T1	T2		S	S1		
BSPP	BSPP F	mm	mm	mm	bar	BSP
1/8"-28	1/8"-28	23.0	14.0	14.0	350	2MBSPP-2FBSPPX
1/8"-28	1/4"-19	28.0	14.0	19.0	350	2MBSPP-4FBSPPX
1/4"-19	1/8"-28	28.5	19.0	14.0	350	4MBSPP-2FBSPPX
1/4"-19	1/4"-19	29.5	19.0	19.0	350	4MBSPP-4FBSPPX
1/4"-19	3/8"-19	33.0	19.0	22.0	350	4MBSPP-6FBSPPX
1/4"-19	1/2"-14	34.5	22.0	27.0	315	4MBSPP-8FBSPPX
1/4"-19	3/4"-14	40.0	27.0	32.0	250	4MBSPP-12FBSPPX
3/8"-19	1/4"-19	33.0	22.0	19.0	350	6MBSPP-4FBSPPX
3/8"-19	3/8"-19	34.0	22.0	22.0	350	6MBSPP-6FBSPPX
3/8"-19	1/2"-14	36.0	22.0	27.0	315	6MBSPP-8FBSPPX
3/8"-19	3/4"-14	38.5	27.0	32.0	250	6MBSPP-12FBSPPX
3/8"-19	1"-11	41.5	36.0	41.0	200	6MBSPP-16FBSPPX
1/2"-14	1/4"-19	36.5	27.0	19.0	315	8MBSPP-4FBSPPX
1/2"-14	3/8"-19	37.5	27.0	22.0	315	8MBSPP-6FBSPPX
1/2"-14	1/2"-14	39.0	27.0	27.0	315	8MBSPP-8FBSPPX
1/2"-14	5/8"-14	40.0	27.0	30.0	315	8MBSPP-10FBSPPX
1/2"-14	3/4"-14	43.0	27.0	32.0	250	8MBSPP-12FBSPPX
1/2"-14	1"-11	43.5	36.0	41.0	200	8MBSPP-16FBSPPX
5/8"-14	5/8"-14	42.0	30.0	30.0	315	10MBSPP-10FBSPPX
3/4"-14	3/8"-19	39.0	32.0	22.0	250	12MBSPP-6FBSPPX
3/4"-14	1/2"-14	42.5	32.0	27.0	250	12MBSPP-8FBSPPX
3/4"-14	3/4"-14	45.0	32.0	32.0	250	12MBSPP-12FBSPPX
3/4"-14	1"-11	47.5	36.0	41.0	200	12MBSPP-16FBSPPX
3/4"-14	1.1/4"-11	51.5	41.0	50.0	160	12MBSPP-20FBSPPX
1"-11	1/2"-14	47.5	41.0	27.0	200	16MBSPP-8FBSPPX
1"-11	3/4"-14	50.0	41.0	32.0	200	16MBSPP-12FBSPPX
1"-11	1"-11	53.5	41.0	41.0	200	16MBSPP-16FBSPPX
1"-11	1.1/4"-11	53.5	41.0	50.0	160	16MBSPP-20FBSPPX
1"-11	1.1/2"-11	56.0	50.0	55.0	125	16MBSPP-24FBSPPX
1.1/4"-11	3/4"-14	51.0	50.0	32.0	160	20MBSPP-12FBSPPX
1.1/4"-11	1"-11	53.0	50.0	41.0	160	20MBSPP-16FBSPPX
1.1/4"-11	1.1/4"-11	54.5	50.0	50.0	160	20MBSPP-20FBSPPX



BSP MBSP-FBSPPX

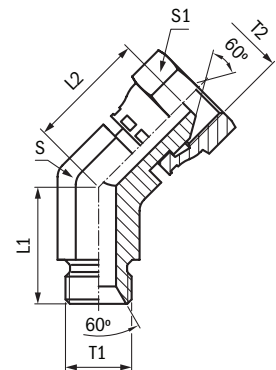
BSPP 60° male / female swivel
CONTINUED



THREAD		LENGTH		HEX/FLATS		WORKING PRESSURE	ADAPTOR
T1	T2	L	S	S1	WP	REF.	BSP
BSPP	BSPP F	mm	mm	mm	bar		BSP
1.1/4"-11	1.1/2"-11	55.5	50.0	55.0	125		20MBSP-24FBSPPX
1.1/4"-11	2"-11	59.5	60.0	70.0	80		20MBSP-32FBSPPX
1.1/2"-11	1"-11	55.0	55.0	41.0	125		24MBSP-16FBSPPX
1.1/2"-11	1.1/4"-11	57.5	55.0	50.0	125		24MBSP-20FBSPPX
1.1/2"-11	1.1/2"-11	58.5	55.0	55.0	125		24MBSP-24FBSPPX
1.1/2"-11	2"-11	61.5	60.0	70.0	125		24MBSP-32FBSPPX
2"-11	1.1/4"-11	67.0	70.0	50.0	80		32MBSP-20FBSPPX
2"-11	1.1/2"-11	68.1	70.0	55.0	125		32MBSP-24FBSPPX
2"-11	2"-11	69.0	70.0	70.0	125		32MBSP-32FBSPPX

BSP MBSP-FBSPPX45BL

BSPP 60° male / female swivel 45°
compact elbow



THREAD		LENGTH		HEX/FLATS		WORKING PRESSURE	ADAPTOR
T1	T2	L1	L2	S	S1	WP	REF.
BSPP	BSPP F	mm	mm	mm	mm	bar	BSP
1/4"-19	1/4"-19	21.0	23.0	14.0	19.0	350	4MBSP-4FBSPPX45BL
3/8"-19	3/8"-19	25.0	26.0	19.0	22.0	350	6MBSP-6FBSPPX45BL
1/2"-14	1/2"-14	28.0	26.5	22.0	27.0	315	8MBSP-8FBSPPX45BL
3/4"-14	3/4"-14	32.0	35.0	27.0	32.0	250	12MBSP-12FBSPPX45BL
1"-11	1"-11	37.0	37.0	33.0	41.0	200	16MBSP-16FBSPPX45BL

INTRODUCTION

BSP ADAPTORS

JIC ADAPTORS

ORFS ADAPTORS

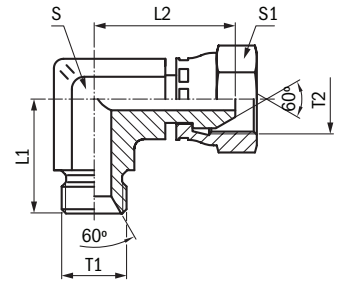
PRESSURE WASH ADAPTORS

QUICK-LOK ADAPTORS



BSP MBSPP-FBSPPX90BL

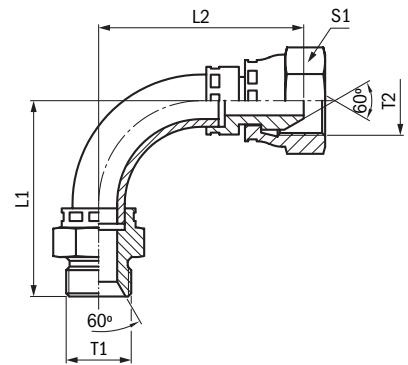
BSPP 60° male / female swivel 90° compact elbow



THREAD		LENGTH		HEX/FLATS		WORKING PRESSURE	ADAPTOR
T1	T2	L1	L2	S	S1	WP	REF.
BSPP	BSPP F	mm	mm	mm	mm	bar	BSP
1/4"-19	1/4"-19	27.0	23.8	14.0	19.0	350	4MBSPP-4FBSPPX90BL
3/8"-19	3/8"-19	29.0	28.2	19.0	22.0	350	6MBSPP-6FBSPPX90BL
1/2"-14	1/2"-14	35.0	33.6	22.0	27.0	315	8MBSPP-8FBSPPX90BL
5/8"-14	5/8"-14	37.0	35.0	22.0	30.0	315	10MBSPP-10FBSPPX90BL
3/4"-14	3/4"-14	43.0	37.9	27.0	32.0	250	12MBSPP-12FBSPPX90BL
1"-11	1"-11	47.0	44.0	33.0	41.0	200	16MBSPP-16FBSPPX90BL
1.1/4"-11	1.1/4"-11	52.3	50.0	41.0	50.0	160	20MBSPP-20FBSPPX90BL

BSP MBSPP-FBSPPX90SWT

BSPP 60° male / female swivel 90° swept elbow

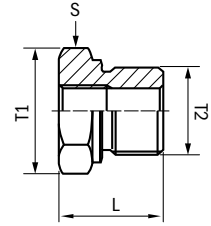


THREAD		LENGTH		HEX/FLATS	WORKING PRESSURE	ADAPTOR
T1	T2	L1	L2	S1	WP	REF.
BSPP	BSPP F	mm	mm	mm	bar	BSP
1/4"-19	1/4"-19	30.0	32.5	19.0	350	4MBSPP-4FBSPPX90SWT
3/8"-19	3/8"-19	37.0	39.0	22.0	350	6MBSPP-6FBSPPX90SWT
1/2"-14	1/2"-14	45.0	47.0	27.0	315	8MBSPP-8FBSPPX90SWT
5/8"-14	5/8"-14	52.0	52.0	30.0	315	10MBSPP-10FBSPPX90SWT
3/4"-14	3/4"-14	54.0	57.0	32.0	250	12MBSPP-12FBSPPX90SWT
1"-11	1"-11	68.0	69.0	41.0	200	16MBSPP-16FBSPPX90SWT
1.1/4"-11	1.1/4"-11	100.0	94.0	50.0	160	20MBSPP-20FBSPPX90SWT



BSP FBSP-MBSP

BSPP 60° female fixed / male



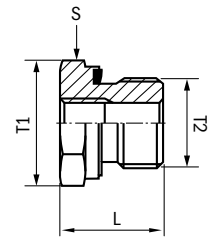
THREAD		LENGTH	HEX/FLATS	WORKING PRESSURE	ADAPTOR
T1	T2	L	S	WP	REF.
BSPP F	BSPP	mm	mm	in PB*	BSP
1/8"-28	1/4"-19	28.0	19.0	630	2FBSP-4MBSP
1/8"-28	3/8"-19	22.5	22.0	630	2FBSP-6MBSP
1/8"-28	1/2"-14	24.0	27.0	400	2FBSP-8MBSP
1/4"-19	1/8"-28	31.0	19.0	630	4FBSP-2MBSP
1/4"-19	3/8"-19	36.0	22.0	630	4FBSP-6MBSP
1/4"-19	1/2"-14	24.0	27.0	400	4FBSP-8MBSP
1/4"-19	3/4"-14	26.0	32.0	400	4FBSP-12MBSP
1/4"-19	1"-11	29.0	41.0	400	4FBSP-16MBSP
3/8"-19	1/8"-28	32.0	24.0	630	6FBSP-2MBSP
3/8"-19	1/4"-19	36.0	24.0	630	6FBSP-4MBSP
3/8"-19	1/2"-14	36.0	27.0	400	6FBSP-8MBSP
3/8"-19	3/4"-14	26.0	32.0	400	6FBSP-12MBSP
3/8"-19	1"-11	29.0	41.0	400	6FBSP-16MBSP
1/2"-14	1/4"-19	40.0	30.0	630	8FBSP-4MBSP
1/2"-14	3/8"-19	41.0	30.0	630	8FBSP-6MBSP
1/2"-14	3/4"-14	41.0	32.0	400	8FBSP-12MBSP
1/2"-14	1"-11	29.0	41.0	400	8FBSP-16MBSP
1/2"-14	1 1/4"-11	32.0	50.0	400	8FBSP-20MBSP
1/2"-14	1 1/2"-11	36.0	55.0	250	8FBSP-24MBSP
3/4"-14	1/4"-19	43.0	36.0	400	12FBSP-4MBSP
3/4"-14	3/8"-19	44.0	36.0	400	12FBSP-6MBSP
3/4"-14	1/2"-14	46.0	36.0	400	12FBSP-8MBSP
3/4"-14	1"-11	47.0	41.0	400	12FBSP-16MBSP
3/4"-14	1 1/4"-11	32.0	50.0	250	12FBSP-20MBSP
3/4"-14	1 1/2"-11	36.0	55.0	250	12FBSP-24MBSP
1"-11	1/2"-14	49.0	41.0	400	16FBSP-8MBSP
1"-11	3/4"-14	51.0	41.0	400	16FBSP-12MBSP
1"-11	1"-11	52.0	50.0	250	16FBSP-16MBSP
1"-11	1 1/2"-11	36.0	55.0	250	16FBSP-24MBSP
1 1/4"-11	1/2"-14	53.0	55.0	250	20FBSP-8MBSP
1 1/4"-11	3/4"-14	55.0	55.0	250	20FBSP-12MBSP
1 1/4"-11	1"-11	57.0	55.0	250	20FBSP-16MBSP
1 1/4"-11	1 1/2"-11	58.0	55.0	250	20FBSP-24MBSP
1 1/2"-11	3/4"-14	57.0	60.0	250	24FBSP-12MBSP
1 1/2"-11	1"-11	59.0	60.0	250	24FBSP-16MBSP
1 1/2"-11	1 1/4"-11	60.0	60.0	250	24FBSP-20MBSP

*PB is the overpressure of the operating pressure according to DIN EN 764-1. Unless otherwise indicated, the safety factor for PB is 2.5.



BSP FBSP-MSBPPWD

BSPP 60° female / male with captive seal



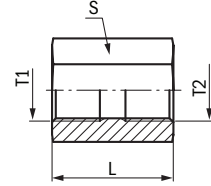
THREAD		LENGTH	HEX/FLATS	WORKING PRESSURE	ADAPTOR
T1	T2	L	S	WP	REF.
BSPP F	BSPP	mm	mm	in PB*	BSP
1/8"-28	1/4"-19	29.0	19.0	630	2FBSP-4MBSPPWD
1/8"-28	3/8"-19	22.5	22.0	630	2FBSP-6MBSPPWD
1/8"-28	1/2"-14	24.0	27.0	630	2FBSP-8MBSPPWD
1/4"-19	1/8"-28	31.0	19.0	630	4FBSP-2MBSPPWD
1/4"-19	3/8"-19	36.0	22.0	630	4FBSP-6MBSPPWD
1/4"-19	1/2"-14	24.0	27.0	630	4FBSP-8MBSPPWD
1/4"-19	3/4"-14	26.0	32.0	400	4FBSP-12MBSPPWD
1/4"-19	1"-11	29.0	41.0	400	4FBSP-16MBSPPWD
3/8"-19	1/8"-28	32.0	24.0	630	6FBSP-2MBSPPWD
3/8"-19	1/4"-19	36.0	24.0	630	6FBSP-4MBSPPWD
3/8"-19	1/2"-14	37.0	27.0	630	6FBSP-8MBSPPWD
3/8"-19	3/4"-14	26.0	32.0	400	6FBSP-12MBSPPWD
3/8"-19	1"-11	29.0	41.0	400	6FBSP-16MBSPPWD
1/2"-14	1/4"-19	40.0	30.0	630	8FBSP-4MBSPPWD
1/2"-14	3/8"-19	41.0	30.0	630	8FBSP-6MBSPPWD
1/2"-14	3/4"-14	43.0	32.0	400	8FBSP-12MBSPPWD
1/2"-14	1"-11	29.0	41.0	400	8FBSP-16MBSPPWD
1/2"-14	1.1/4"-11	32.0	50.0	400	8FBSP-20MBSPPWD
1/2"-14	1.1/2"-11	36.0	55.0	315	8FBSP-24MBSPPWD
3/4"-14	1/4"-19	43.0	36.0	630	12FBSP-4MBSPPWD
3/4"-14	3/8"-19	44.0	36.0	400	12FBSP-6MBSPPWD
3/4"-14	1/2"-14	46.0	36.0	400	12FBSP-8MBSPPWD
3/4"-14	1"-11	49.0	41.0	400	12FBSP-16MBSPPWD
3/4"-14	1.1/4"-11	32.0	50.0	400	12FBSP-20MBSPPWD
3/4"-14	1.1/2"-11	36.0	55.0	315	12FBSP-24MBSPPWD
1"-11	1/2"-14	49.0	41.0	400	16FBSP-8MBSPPWD
1"-11	3/4"-14	51.0	41.0	400	16FBSP-12MBSPPWD
1"-11	1"-11	53.0	50.0	400	16FBSP-16MBSPPWD
1"-11	1.1/2"-11	36.0	55.0	315	16FBSP-24MBSPPWD
1.1/4"-11	1/2"-14	53.0	55.0	400	20FBSP-8MBSPPWD
1.1/4"-11	3/4"-14	55.0	55.0	400	20FBSP-12MBSPPWD
1.1/4"-11	1"-11	57.0	55.0	400	20FBSP-16MBSPPWD
1.1/4"-11	1.1/2"-11	58.0	55.0	315	20FBSP-24MBSPPWD
1.1/2"-11	3/4"-14	57.0	60.0	315	24FBSP-12MBSPPWD
1.1/2"-11	1"-11	59.0	60.0	315	24FBSP-16MBSPPWD
1.1/2"-11	1.1/4"-11	60.0	60.0	315	24FBSP-20MBSPPWD

*PB is the overpressure of the operating pressure according to DIN EN 764-1. Unless otherwise indicated, the safety factor for PB is 2,5.



BSP FBSP-FBSP

BSP female fixed / female fixed



THREAD		LENGTH	HEX/FLATS	WORKING PRESSURE	ADAPTOR
T1	T2	L	S	WP	REF.
BSP F	BSP F	mm	mm	bar	BSP
1/8"-28	1/8"-28	22.0	14.0	350	2FBSP-2FBSP
1/4"-19	1/4"-19	25.0	19.0	350	4FBSP-4FBSP
3/8"-19	3/8"-19	27.0	22.0	350	6FBSP-6FBSP
1/2"-14	1/2"-14	35.0	27.0	315	8FBSP-8FBSP
5/8"-14	5/8"-14	36.0	30.0	315	10FBSP-10FBSP
3/4"-14	3/4"-14	40.0	32.0	250	12FBSP-12FBSP
1"-11	1"-11	45.0	41.0	200	16FBSP-16FBSP
1.1/4"-11	1.1/4"-11	48.0	50.0	160	20FBSP-20FBSP
1.1/2"-11	1.1/2"-11	54.0	55.0	125	24FBSP-24FBSP
2"-11	2"-11	60.0	70.0	125	32FBSP-32FBSP

INTRODUCTION

BSP ADAPTORS

JIC ADAPTORS

ORFS ADAPTORS

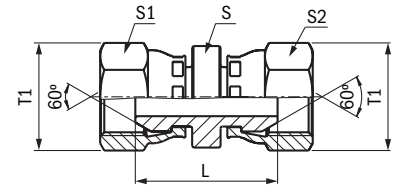
PRESSURE WASH ADAPTORS

QUICK-LOK ADAPTORS



BSP FBSPPX-FBSPPX

BSPP 60° female swivel / female swivel

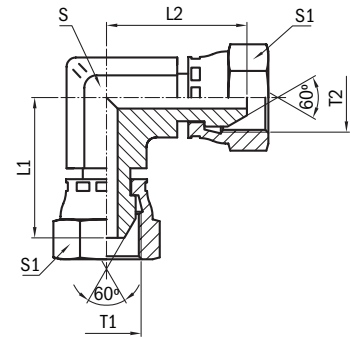


THREAD		LENGTH	HEX/FLATS			WORKING PRESSURE	ADAPTOR
T1	T2	L	S	S1	S2	WP	REF.
BSPP F	BSPP F	mm	mm	mm	mm	bar	BSP
1/8"-28	1/8"-28	24.5	12.0	14.0	14.0	350	2FBSPPX-2FBSPPX
1/4"-19	1/4"-19	29.0	14.0	19.0	19.0	350	4FBSPPX-4FBSPPX
1/4"-19	3/8"-19	31.5	17.0	22.0	19.0	350	4FBSPPX-6FBSPPX
1/4"-19	1/2"-14	33.5	22.0	27.0	19.0	315	4FBSPPX-8FBSPPX
3/8"-19	3/8"-19	32.5	17.0	22.0	22.0	350	6FBSPPX-6FBSPPX
3/8"-19	1/2"-14	34.5	22.0	27.0	22.0	315	6FBSPPX-8FBSPPX
1/2"-14	1/2"-14	38.0	22.0	27.0	27.0	315	8FBSPPX-8FBSPPX
1/2"-14	5/8"-14	39.0	24.0	30.0	27.0	315	8FBSPPX-10FBSPPX
1/2"-14	3/4"-14	41.0	27.0	32.0	27.0	250	8FBSPPX-12FBSPPX
5/8"-14	5/8"-14	39.0	24.0	30.0	30.0	315	10FBSPPX-10FBSPPX
3/4"-14	3/4"-14	43.5	27.0	32.0	32.0	250	12FBSPPX-12FBSPPX
3/4"-14	1"-11	49.0	36.0	41.0	32.0	200	12FBSPPX-16FBSPPX
1"-11	1"-11	50.0	36.0	41.0	41.0	200	16FBSPPX-16FBSPPX
1.1/4"-11	1.1/4"-11	55.0	41.0	50.0	50.0	160	20FBSPPX-20FBSPPX
1.1/2"-11	1.1/2"-11	58.0	50.0	55.0	55.0	125	24FBSPPX-24FBSPPX
2"-11	2"-11	61.5	60.0	70.0	70.0	125	32FBSPPX-32FBSPPX



BSP FBSPPX-FBSPPX90BL

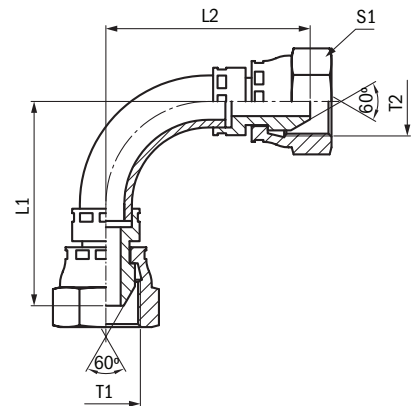
BSPP 60° female swivel / female swivel 90° compact elbow



THREAD		LENGTH		HEX/FLATS		WORKING PRESSURE	ADAPTOR
T1	T2	L1	L2	S	S1	WP	REF.
BSPP F	BSPP F	mm	mm	mm	mm	bar	BSP
1/4"-19	1/4"-19	24.5	24.5	14.0	19.0	350	4FBSPPX-4FBSPPX90BL
3/8"-19	3/8"-19	27.2	27.2	19.0	22.0	350	6FBSPPX-6FBSPPX90BL
1/2"-14	1/2"-14	31.5	31.5	22.0	27.0	315	8FBSPPX-8FBSPPX90BL
5/8"-14	5/8"-14	37.0	37.0	22.0	30.0	315	10FBSPPX-10FBSPPX90BL
3/4"-14	3/4"-14	37.9	37.9	27.0	32.0	250	12FBSPPX-12FBSPPX90BL
1"-11	1"-11	46.0	46.0	33.0	41.0	200	16FBSPPX-16FBSPPX90BL
1 1/4"-11	1 1/4"-11	50.0	50.0	41.0	50.0	160	20FBSPPX-20FBSPPX90BL

BSP FBSPPX-FBSPPX90SWT

BSPP 60° female swivel / female swivel 90° swept elbow

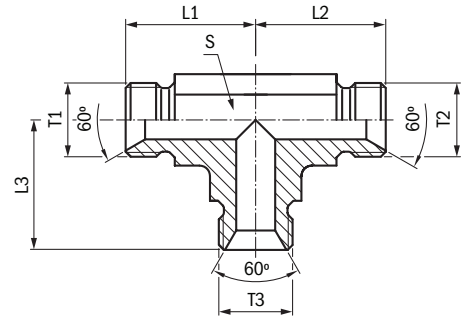


THREAD		LENGTH		HEX/FLATS	WORKING PRESSURE	ADAPTOR
T1	T2	L1	L2	S1	WP	REF.
BSPP F	BSPP F	mm	mm	mm	bar	BSP
1/4"-19	1/4"-19	30.0	30.0	19.0	350	4FBSPPX-4FBSPPX90SWT
3/8"-19	3/8"-19	36.5	36.5	22.0	350	6FBSPPX-6FBSPPX90SWT
1/2"-14	1/2"-14	45.0	45.0	27.0	315	8FBSPPX-8FBSPPX90SWT
5/8"-14	5/8"-14	53.0	53.0	30.0	315	10FBSPPX-10FBSPPX90SWT
3/4"-14	3/4"-14	58.0	58.0	32.0	250	12FBSPPX-12FBSPPX90SWT
1"-11	1"-11	73.0	73.0	41.0	200	16FBSPPX-16FBSPPX90SWT
1 1/4"-11	1 1/4"-11	92.0	92.0	50.0	160	20FBSPPX-20FBSPPX90SWT



BSP MBSPP-MBSPP-MBSPP

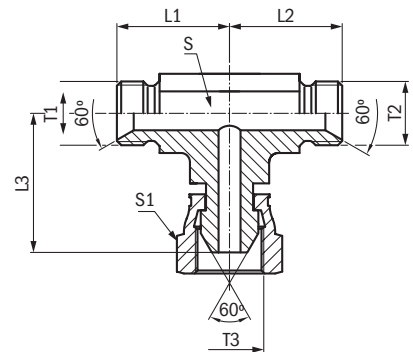
BSPP 60° male / male / male "T"



THREAD			LENGTH			HEX/FLATS	WORKING PRESSURE	ADAPTOR
T1	T2	T3	L1	L2	L3	S	WP	REF.
BSPP	BSPP	BSPP	mm	mm	mm	mm	bar	BSP
1/4"-19	1/4"-19	1/4"-19	27.0	27.0	27.0	14.0	350	4MBSPP-4MBSPP-4MBSPP
3/8"-19	3/8"-19	3/8"-19	29.0	29.0	29.0	19.0	350	6MBSPP-6MBSPP-6MBSPP
1/2"-14	1/2"-14	1/2"-14	35.0	35.0	35.0	22.0	315	8MBSPP-8MBSPP-8MBSPP
5/8"-14	5/8"-14	5/8"-14	37.0	37.0	37.0	27.0	315	10MBSPP-10MBSPP-10MBSPP
3/4"-14	3/4"-14	3/4"-14	43.0	43.0	43.0	27.0	250	12MBSPP-12MBSPP-12MBSPP
1"-11	1"-11	1"-11	48.0	48.0	48.0	33.0	200	16MBSPP-16MBSPP-16MBSPP
1.1/4"-11	1.1/4"-11	1.1/4"-11	51.0	51.0	51.0	41.0	160	20MBSPP-20MBSPP-20MBSPP
1.1/2"-11	1.1/2"-11	1.1/2"-11	60.5	60.5	60.5	48.0	125	24MBSPP-24MBSPP-24MBSPP

BSP MBSPP-MBSPP-FBSPPX

BSPP 60° male / male / female swivel "T"

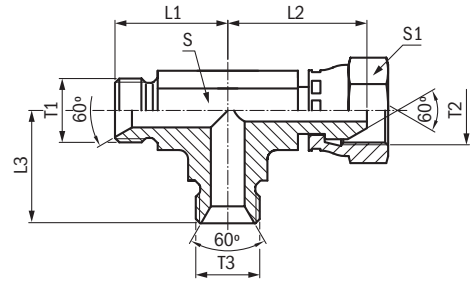


THREAD			LENGTH			HEX/FLATS		WORKING PRESSURE	ADAPTOR
T1	T2	T3	L1	L2	L3	S	S 1	WP	REF.
BSPP	BSPP	BSPP F	mm	mm	mm	mm	mm	bar	BSP
1/4"-19	1/4"-19	1/4"-19	27.0	27.0	23.8	14.0	19.0	350	4MBSPP-4MBSPP-4FBSPPX
3/8"-19	3/8"-19	3/8"-19	29.0	29.0	28.2	19.0	22.0	350	6MBSPP-6MBSPP-6FBSPPX
1/2"-14	1/2"-14	1/2"-14	35.0	35.0	33.6	22.0	27.0	315	8MBSPP-8MBSPP-8FBSPPX
3/4"-14	3/4"-14	3/4"-14	43.0	43.0	37.9	27.0	32.0	250	12MBSPP-12MBSPP-12FBSPPX
1"-11	1"-11	1"-11	47.0	47.0	45.4	33.0	41.0	200	16MBSPP-16MBSPP-16FBSPPX
1.1/4"-11	1.1/4"-11	1.1/4"-11	50.0	50.0	50.0	41.0	50.0	160	20MBSPP-20MBSPP-20FBSPPX



BSP MBSP-FBSPPX-MBSP

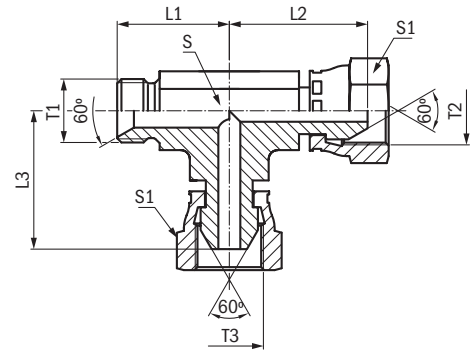
BSPP 60° male / female swivel / male "T"



THREAD			LENGTH			HEX/FLATS		WORKING PRESSURE	ADAPTOR
T1	T2	T3	L1	L2	L3	S	S1	WP	REF.
BSPP	BSPP F	BSPP	mm	mm	mm	mm	mm	bar	BSP
1/4"-19	1/4"-19	1/4"-19	27.0	23.8	27.0	14.0	19.0	350	4MBSP-4FBSPPX-4MBSP
3/8"-19	3/8"-19	3/8"-19	29.0	28.2	29.0	19.0	22.0	350	6MBSP-6FBSPPX-6MBSP
1/2"-14	1/2"-14	1/2"-14	35.0	33.6	35.0	22.0	27.0	315	8MBSP-8FBSPPX-8MBSP
3/4"-14	3/4"-14	3/4"-14	43.0	37.9	43.0	27.0	32.0	250	12MBSP-12FBSPPX-12MBSP
1"-11	1"-11	1"-11	47.0	45.4	47.0	33.0	41.0	200	16MBSP-16FBSPPX-16MBSP
1 1/4"-11	1 1/4"-11	1 1/4"-11	50.0	50.0	50.0	41.0	50.0	160	20MBSP-20FBSPPX-20MBSP

BSP MBSP-FBSPPX-FBSPPX

BSPP 60° male / female swivel / female swivel "T"



THREAD			LENGTH			HEX/FLATS		WORKING PRESSURE	ADAPTOR
T1	T2	T3	L1	L2	L3	S	S1	WP	REF.
BSPP	BSPP F	BSPP F	mm	mm	mm	mm	mm	bar	BSP
1/4"-19	1/4"-19	1/4"-19	27.0	23.8	23.8	14.0	19.0	350	4MBSP-4FBSPPX-4FBSPPX
3/8"-19	3/8"-19	3/8"-19	29.0	28.2	28.2	19.0	22.0	350	6MBSP-6FBSPPX-6FBSPPX
1/2"-14	1/2"-14	1/2"-14	35.0	33.6	33.6	22.0	27.0	315	8MBSP-8FBSPPX-8FBSPPX
3/4"-14	3/4"-14	3/4"-14	43.0	37.9	37.9	27.0	32.0	250	12MBSP-12FBSPPX-12FBSPPX
1"-11	1"-11	1"-11	47.0	45.4	45.4	33.0	41.0	200	16MBSP-16FBSPPX-16FBSPPX

INTRODUCTION

BSP ADAPTORS

JIC ADAPTORS

ORFS ADAPTORS

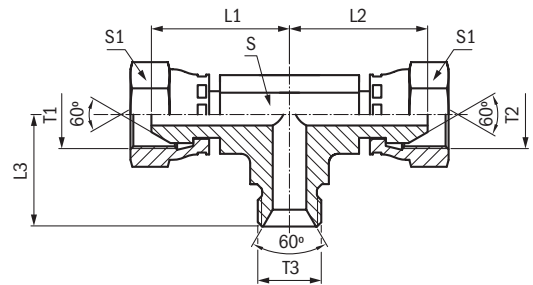
PRESSURE WASH ADAPTORS

QUICK-LOK ADAPTORS



BSP FBSPPX-FBSPPX-MBSPP

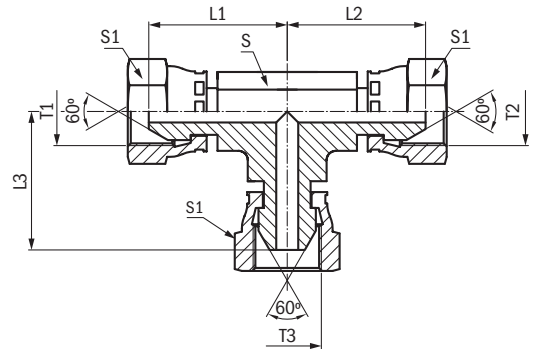
BSPP 60° female swivel / female swivel / male "T"



THREAD			LENGTH			HEX/FLATS		WORKING PRESSURE	ADAPTOR
T1	T2	T3	L1	L2	L3	S	S1	WP	REF.
BSPP F	BSPP F	BSPP	mm	mm	mm	mm	mm	bar	BSP
1/4"-19	1/4"-19	1/4"-19	24.0	24.0	27.0	14.0	19.0	350	4FBSPPX-4FBSPPX-4MBSPP
3/8"-19	3/8"-19	3/8"-19	28.2	28.2	29.0	19.0	22.0	350	6FBSPPX-6FBSPPX-6MBSPP
1/2"-14	1/2"-14	1/2"-14	33.6	33.6	35.0	22.0	27.0	315	8FBSPPX-8FBSPPX-8MBSPP
5/8"-14	5/8"-14	5/8"-14	35.0	35.0	37.0	27.0	30.0	315	10FBSPPX-10FBSPPX-10MBSPP
3/4"-14	3/4"-14	3/4"-14	37.9	37.9	43.0	27.0	32.0	250	12FBSPPX-12FBSPPX-12MBSPP
1"-11	1"-11	1"-11	45.4	45.4	47.0	33.0	41.0	200	16FBSPPX-16FBSPPX-16MBSPP

BSP FBSPPX-FBSPPX-FBSPPX

BSPP 60° female swivel / female swivel / female swivel "T"

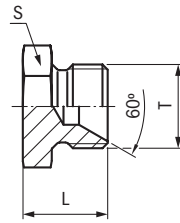


THREAD			LENGTH			HEX/FLATS		WORKING PRESSURE	ADAPTOR
T1	T2	T3	L1	L2	L3	S	S1	WP	REF.
BSPP F	BSPP F	BSPP F	mm	mm	mm	mm	mm	bar	BSP
1/4"-19	1/4"-19	1/4"-19	24.5	24.5	24.5	14.0	19.0	350	4FBSPPX-4FBSPPX-4FBSPPX
3/8"-19	3/8"-19	3/8"-19	27.5	27.5	27.5	19.0	22.0	350	6FBSPPX-6FBSPPX-6FBSPPX
1/2"-14	1/2"-14	1/2"-14	31.5	31.5	31.5	22.0	27.0	315	8FBSPPX-8FBSPPX-8FBSPPX
5/8"-14	5/8"-14	5/8"-14	35.0	35.0	35.0	22.0	30.0	315	10FBSPPX-10FBSPPX-10FBSPPX
3/4"-14	3/4"-14	3/4"-14	41.5	41.5	41.5	27.0	32.0	250	12FBSPPX-12FBSPPX-12FBSPPX
1"-11	1"-11	1"-11	46.0	46.0	46.0	33.0	41.0	200	16FBSPPX-16FBSPPX-16FBSPPX
1.1/4"-11	1.1/4"-11	1.1/4"-11	51.2	51.2	51.2	41.0	50.0	160	20FBSPPX-20FBSPPX-20FBSPPX
1.1/2"-11	1.1/2"-11	1.1/2"-11	63.5	63.5	63.5	48.0	55.0	125	24FBSPPX-24FBSPPX-24FBSPPX



BSP MBSPT-PLUG

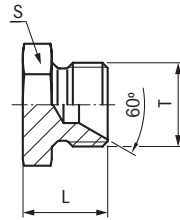
BSPP 60° male BSP taper cone plug



THREAD	LENGTH	HEX/FLATS	WORKING PRESSURE	ADAPTOR
T	L	S	WP	REF.
BSPT	mm	mm	bar	BSP
1/8"-28	16.0	12.0	345	2MBSPT-PLUG

BSP MBSP-PLUG

BSPP 60° male cone plug

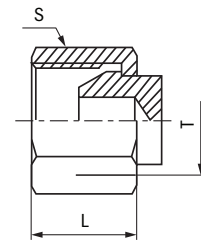


THREAD	LENGTH	HEX/FLATS	WORKING PRESSURE	ADAPTOR
T	L	S	WP	REF.
BSPP	mm	mm	bar	BSP
1/8"-28	16.0	14.0	350	2MBSPP-PLUG
1/4"-19	18.0	19.0	350	4MBSPP-PLUG
3/8"-19	20.0	22.0	350	6MBSPP-PLUG
1/2"-14	24.0	27.0	315	8MBSPP-PLUG
5/8"-14	26.0	30.0	315	10MBSPP-PLUG
3/4"-14	27.0	32.0	250	12MBSPP-PLUG
1"-11	32.0	41.0	200	16MBSPP-PLUG
1 1/4"-11	34.0	50.0	160	20MBSPP-PLUG
1 1/2"-11	39.0	55.0	125	24MBSPP-PLUG
2"-11	45.0	70.0	125	32MBSPP-PLUG



BSP FBSPPX-CAP

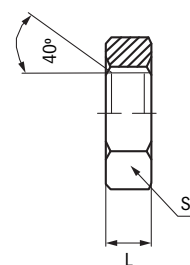
BSPP 60° female swivel cap



THREAD	LENGTH	HEX/FLATS	WORKING PRESSURE	ADAPTOR
T	L	S	WP	REF.
BSPP F	mm	mm	bar	BSP
1/8"-28	14.0	14.0	350	2FBSPPX-CAP
1/4"-19	16.0	19.0	350	4FBSPPX-CAP
3/8"-19	17.5	22.0	350	6FBSPPX-CAP
1/2"-14	20.5	27.0	315	8FBSPPX-CAP
5/8"-14	22.0	30.0	315	10FBSPPX-CAP
3/4"-14	25.0	32.0	250	12FBSPPX-CAP
1"-11	29.0	41.0	200	16FBSPPX-CAP
1.1/4"-11	29.2	50.0	160	20FBSPPX-CAP
1.1/2"-11	32.0	55.0	125	24FBSPPX-CAP
2"-11	34.0	70.0	125	32FBSPPX-CAP

BSP LOCKNUT

BSP locknut for bulkhead



THREAD	LENGTH	HEX/FLATS	WORKING PRESSURE	ADAPTOR
T	L	S	WP	REF.
BSPP	mm	mm	bar	BSP
1/8"-28	5.5	14.0	350	2BSP-LOCKNUT
3/8"-19	7.0	22.0	350	6BSP-LOCKNUT
1/2"-14	8.0	27.0	315	8BSP-LOCKNUT





DRIVEN BY POSSIBILITY™

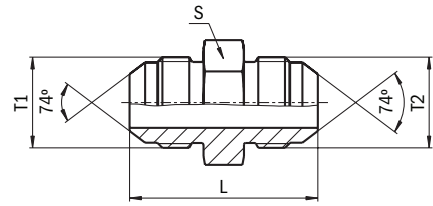
JIC ADAPTORS





JIC MJ-MJ

JIC 37° male / male



THREAD		LENGTH	HEX/FLATS	WORKING PRESSURE	ADAPTOR
T1	T2	L	S	WP	REF.
JIC	JIC	mm	mm	bar	JIC
7/16"-20	5/16"-24	32.3	12.0	350	4MJ-2MJ
7/16"-20	7/16"-20	34.8	12.0	350	4MJ-4MJ
1/2"-20	7/16"-20	35.0	14.0	350	5MJ-4MJ
1/2"-20	1/2"-20	34.8	14.0	350	5MJ-5MJ
9/16"-18	7/16"-20	35.7	17.0	350	6MJ-4MJ
9/16"-18	9/16"-18	35.8	17.0	350	6MJ-6MJ
3/4"-16	9/16"-18	38.6	22.0	310	8MJ-6MJ
3/4"-16	3/4"-16	41.2	22.0	310	8MJ-8MJ
7/8"-14	3/4"-16	45.2	24.0	240	10MJ-8MJ
7/8"-14	7/8"-14	47.8	24.0	240	10MJ-10MJ
1.1/16"-12	1.1/16"-12	54.9	27.0	240	12MJ-12MJ
1.5/16"-12	1.5/16"-12	57.2	36.0	210	16MJ-16MJ

INTRODUCTION

BSP ADAPTORS

JIC ADAPTORS

ORFS ADAPTORS

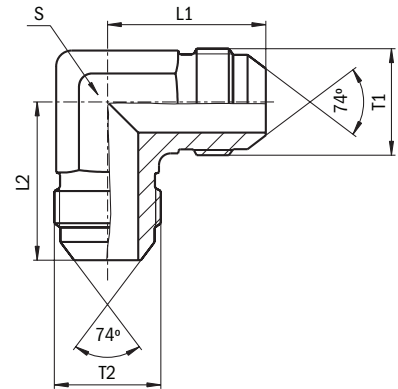
PRESSURE WASH ADAPTORS

QUICK-LOK ADAPTORS



JIC MJ-MJ90

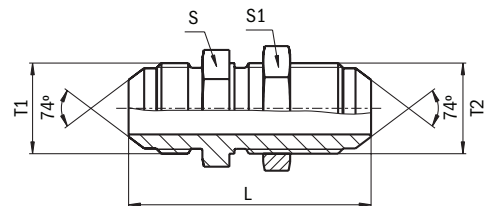
JIC 37° male / male 90° elbow



THREAD		LENGTH		HEX/FLATS	WORKING PRESSURE	ADAPTOR
T1	T2	L1	L2	S	WP	REF.
JIC	JIC	mm	mm	mm	bar	JIC
7/16"-20	7/16"-20	22.6	22.6	11.0	350	4MJ-4MJ90
1/2"-20	1/2"-20	24.1	24.1	14.0	350	5MJ-5MJ90
9/16"-18	7/16"-20	26.9	26.7	14.0	350	6MJ-4MJ90
9/16"-18	9/16"-18	26.9	26.9	14.0	350	6MJ-6MJ90
3/4"-16	9/16"-18	31.8	29.0	19.0	310	8MJ-6MJ90
3/4"-16	3/4"-16	31.8	31.8	19.0	310	8MJ-8MJ90
7/8"-14	3/4"-16	36.8	33.8	22.0	240	10MJ-8MJ90
7/8"-14	7/8"-14	36.8	36.8	22.0	240	10MJ-10MJ90
1.1/16"-12	1.1/16"-12	42.2	42.2	27.0	240	12MJ-12MJ90
1.5/16"-12	1.5/16"-12	46.0	46.0	33.0	210	16MJ-16MJ90

JIC MJ-MJBKHD

JIC 37° male / male bulkhead union with lock nut

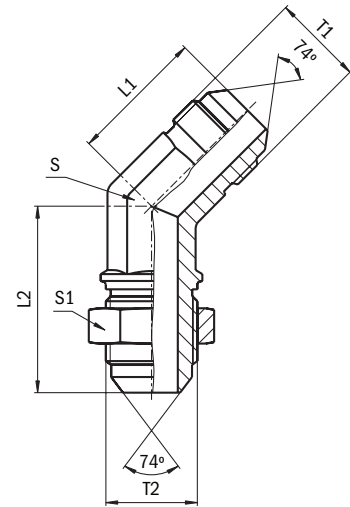


THREAD		LENGTH	HEX/FLATS	WORKING PRESSURE	ADAPTOR
T1	T2	L	S & S1	WP	REF.
JIC	JIC	mm	mm	bar	JIC
7/16"-20	7/16"-20	52.6	17.0	350	4MJ-4MJBKHD
1/2"-20	1/2"-20	52.6	19.0	350	5MJ-5MJBKHD
9/16"-18	9/16"-18	55.4	22.0	350	6MJ-6MJBKHD
3/4"-16	3/4"-16	62.0	24.0	310	8MJ-8MJBKHD
7/8"-14	7/8"-14	69.6	30.0	240	10MJ-10MJBKHD
1.1/16"-12	1.1/16"-12	78.5	36.0	240	12MJ-12MJBKHD
1.5/16"-12	1.5/16"-12	79.8	41.0	210	16MJ-16MJBKHD



JIC MJ-MJBKHD45

JIC 37° male / male bulkhead 45° union elbow with lock nut



THREAD		LENGTH		HEX/FLATS		WORKING PRESSURE	ADAPTOR
T1	T2	L1	L2	S	S1	WP	REF.
JIC	JIC	mm	mm	mm	mm	bar	JIC
7/16"-20	7/16"-20	18.3	38.9	11.0	17.0	350	4MJ-4MJBKHD45
1/2"-20	1/2"-20	19.6	42.2	14.0	19.0	350	5MJ-5MJBKHD45
9/16"-18	9/16"-18	21.1	42.4	14.0	22.0	350	6MJ-6MJBKHD45
3/4"-16	3/4"-16	24.9	49.3	19.0	24.0	310	8MJ-8MJBKHD45
7/8"-14	7/8"-14	28.2	55.1	22.0	30.0	240	10MJ-10MJBKHD45
1.1/16"-12	1.1/16"-12	32.5	62.0	27.0	36.0	240	12MJ-12MJBKHD45
1.5/16"-12	1.5/16"-12	37.3	65.0	33.0	41.0	210	16MJ-16MJBKHD45

INTRODUCTION

BSP ADAPTORS

JIC ADAPTORS

ORFS ADAPTORS

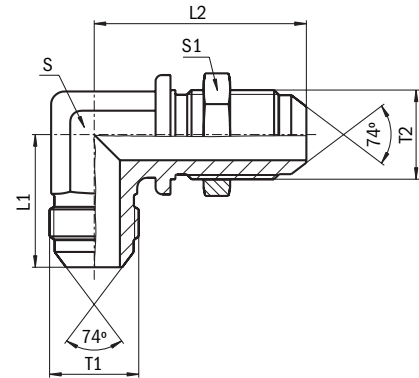
PRESSURE WASH ADAPTORS

QUICK-LOK ADAPTORS



JIC MJ-MJBKHD90

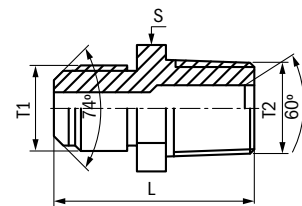
JIC 37° male / male bulkhead 90° union elbow with lock nut



THREAD		LENGTH		HEX/FLATS		WORKING PRESSURE	ADAPTOR
T1	T2	L1	L2	S	S1	WP	REF.
JIC	JIC	mm	mm	mm	mm	bar	JIC
7/16"-20	7/16"-20	24.6	40.4	11.0	17.0	350	4MJ-4MJBKHD90
1/2"-20	1/2"-20	26.9	43.7	14.0	19.0	350	5MJ-5MJBKHD90
9/16"-18	9/16"-18	26.9	46.0	14.0	22.0	350	6MJ-6MJBKHD90
3/4"-16	3/4"-16	34.5	53.6	19.0	24.0	310	8MJ-8MJBKHD90
7/8"-14	7/8"-14	39.6	60.7	22.0	30.0	240	10MJ-10MJBKHD90
1.1/16"-12	1.1/16"-12	45.2	67.8	27.0	36.0	240	12MJ-12MJBKHD90
1.5/16"-12	1.5/16"-12	49.3	71.1	33.0	41.0	210	16MJ-16MJBKHD90

JIC MJ-MBSPT

JIC 37° male / male BSP taper

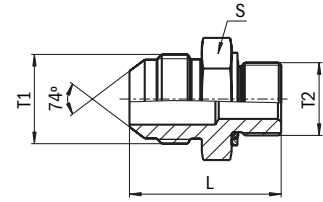


THREAD		LENGTH	HEX/FLATS	WORKING PRESSURE	ADAPTOR
T1	T2	L	S	WP	REF.
JIC	BSPT	mm	mm	bar	JIC
7/8"-14	3/4"-14	48.5	30.0	240	10MJ-12MBSPT



JIC MJ-MBSPPCOR

JIC 37° male / male BSPP with O-Ring and retaining ring



THREAD		LENGTH	HEX/FLATS	WORKING PRESSURE	ADAPTOR
T1	T2	L	S	WP	REF.
JIC	BSPP	mm	mm	bar	JIC
7/16"-20	1/8"-28	30.0	14.0	200	4MJ-2MBSPPCOR
7/16"-20	1/4"-19	35.0	19.0	200	4MJ-4MBSPPCOR
7/16"-20	3/8"-19	35.0	22.0	200	4MJ-6MBSPPCOR
7/16"-20	1/2"-14	38.0	30.0	200	4MJ-8MBSPPCOR
9/16"-18	1/8"-28	29.5	17.0	200	6MJ-2MBSPPCOR
9/16"-18	1/4"-19	32.0	19.0	200	6MJ-4MBSPPCOR
9/16"-18	3/8"-19	34.5	22.0	200	6MJ-6MBSPPCOR
9/16"-18	1/2"-14	38.0	27.0	200	6MJ-8MBSPPCOR
3/4"-16	1/4"-19	35.0	19.0	200	8MJ-4MBSPPCOR
3/4"-16	3/8"-19	36.0	22.0	200	8MJ-6MBSPPCOR
3/4"-16	1/2"-14	41.5	27.0	200	8MJ-8MBSPPCOR
3/4"-16	3/4"-14	45.0	36.0	200	8MJ-12MBSPPCOR
3/4"-16	1"-11	48.0	46.0	200	8MJ-16MBSPPCOR
7/8"-14	3/8"-19	40.5	24.0	200	10MJ-6MBSPPCOR
7/8"-14	1/2"-14	44.0	27.0	200	10MJ-8MBSPPCOR
7/8"-14	3/4"-14	46.5	36.0	200	10MJ-12MBSPPCOR
1.1/16"-12	1/2"-14	46.0	30.0	200	12MJ-8MBSPPCOR
1.1/16"-12	3/4"-14	49.2	36.0	200	12MJ-12MBSPPCOR
1.5/16"-12	3/4"-14	48.5	36.0	200	16MJ-12MBSPPCOR
1.5/16"-12	1"-11	53.5	46.0	200	16MJ-16MBSPPCOR
1.5/16"-12	1.1/4"-11	57.0	50.0	160	16MJ-20MBSPPCOR
1.5/8"-12	1.1/4"-11	57.0	50.0	160	20MJ-20MBSPPCOR
1.7/8"-12	1.1/4"-11	61.5	55.0	140	24MJ-20MBSPPCOR

INTRODUCTION

BSPP ADAPTORS

JIC ADAPTORS

ORFS ADAPTORS

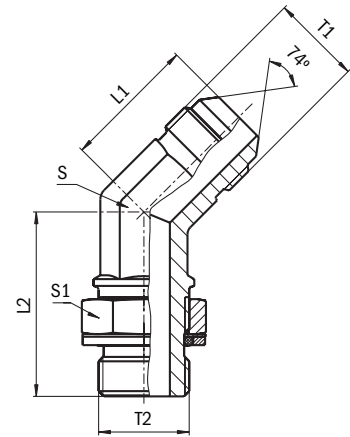
PRESSURE WASH ADAPTORS

QUICK-LOK ADAPTORS



JIC MJ-MBSPPACOR45

JIC 37° male / adjustable male BSPP 45° elbow with O-Ring and retaining ring

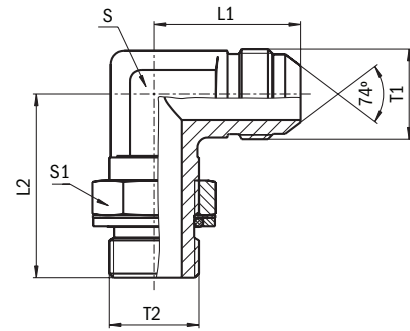


THREAD		LENGTH		HEX/FLATS		WORKING PRESSURE	ADAPTOR
T1	T2	L1	L2	S	S1	WP	REF.
JIC	BSPP	mm	mm	mm	mm	bar	JIC
7/16"-20	1/8"-28	18.0	26.5	11.0	14.0	200	4MJ-2MBSPPACOR45
7/16"-20	1/4"-19	21.0	29.0	14.0	19.0	200	4MJ-4MBSPPACOR45
9/16"-18	1/4"-19	21.0	29.0	14.0	19.0	200	6MJ-4MBSPPACOR45
9/16"-18	3/8"-19	22.0	33.0	19.0	22.0	200	6MJ-6MBSPPACOR45
9/16"-18	1/2"-14	22.0	38.5	22.0	27.0	200	6MJ-8MBSPPACOR45
3/4"-16	3/8"-19	25.0	33.0	19.0	22.0	200	8MJ-6MBSPPACOR45
3/4"-16	1/2"-14	25.5	38.5	22.0	27.0	200	8MJ-8MBSPPACOR45
7/8"-14	1/2"-14	28.0	38.5	22.0	27.0	200	10MJ-8MBSPPACOR45
7/8"-14	3/4"-14	30.0	44.0	27.0	36.0	200	10MJ-12MBSPPACOR45
1.1/16"-12	3/4"-14	32.5	44.0	27.0	36.0	200	12MJ-12MBSPPACOR45
1.5/16"-12	1"-11	37.0	47.0	33.0	41.0	200	16MJ-16MBSPPACOR45



JIC MJ-MBSPPACOR90

JIC 37° male / adjustable male
BSPP 90° elbow with O-Ring
and retaining ring



THREAD		LENGTH		HEX/FLATS		WORKING PRESSURE	ADAPTOR
T1	T2	L1	L2	S	S1	WP	REF.
JIC	BSPP	mm	mm	mm	mm	bar	JIC
7/16"-20	1/8"-28	22.5	26.0	11.0	14.0	200	4MJ-2MBSPPACOR90
7/16"-20	1/4"-19	27.0	31.5	14.0	19.0	200	4MJ-4MBSPPACOR90
7/16"-20	3/8"-19	28.5	36.5	19.0	22.0	200	4MJ-6MBSPPACOR90
1/2"-20	1/8"-28	24.0	28.0	14.0	14.0	200	5MJ-2MBSPPACOR90
1/2"-20	1/4"-19	27.0	31.0	14.0	19.0	200	5MJ-4MBSPPACOR90
1/2"-20	3/8"-19	28.5	36.5	19.0	22.0	200	5MJ-6MBSPPACOR90
3/8"-18	1/4"-19	27.0	31.5	14.0	19.0	200	6MJ-4MBSPPACOR90
3/8"-18	3/8"-19	28.5	36.5	19.0	22.0	200	6MJ-6MBSPPACOR90
3/8"-18	1/2"-14	31.0	43.0	22.0	27.0	200	6MJ-8MBSPPACOR90
3/4"-16	1/4"-19	31.5	33.5	19.0	19.0	200	8MJ-4MBSPPACOR90
3/4"-16	3/8"-19	31.5	36.5	19.0	22.0	200	8MJ-6MBSPPACOR90
3/4"-16	1/2"-14	34.0	43.0	22.0	27.0	200	8MJ-8MBSPPACOR90
3/4"-16	3/4"-14	37.0	49.0	27.0	36.0	200	8MJ-12MBSPPACOR90
7/8"-14	3/8"-19	36.5	39.5	22.0	22.0	200	10MJ-6MBSPPACOR90
7/8"-14	1/2"-14	36.5	43.0	22.0	27.0	200	10MJ-8MBSPPACOR90
7/8"-14	3/4"-14	39.5	49.0	27.0	36.0	200	10MJ-12MBSPPACOR90
1.1/16"-12	1/2"-14	42.0	45.5	27.0	27.0	200	12MJ-8MBSPPACOR90
1.1/16"-12	3/4"-14	42.0	49.0	27.0	36.0	200	12MJ-12MBSPPACOR90
1.1/16"-12	1"-11	44.7	52.0	33.0	41.0	200	12MJ-16MBSPPACOR90
1.5/16"-12	3/4"-14	46.0	52.0	33.0	36.0	200	16MJ-12MBSPPACOR90
1.5/16"-12	1"-11	46.0	52.0	33.0	41.0	200	16MJ-16MBSPPACOR90
1.5/16"-12	1.1/4"-11	51.0	57.0	41.0	50.0	160	16MJ-20MBSPPACOR90
1.5/8"-12	1.1/4"-11	52.0	58.0	41.0	50.0	160	20MJ-20MBSPPACOR90
1.7/8"-12	1.1/2"-11	59.0	61.0	48.0	55.0	140	24MJ-24MBSPPACOR90

INTRODUCTION

BSP ADAPTORS

JIC ADAPTORS

ORFS ADAPTORS

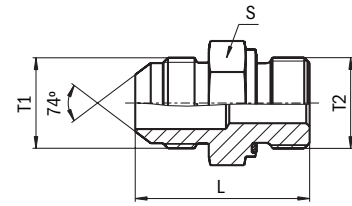
PRESSURE WASH ADAPTORS

QUICK-LOK ADAPTORS



JIC MJ-MBSPPWD

JIC 37° male / male BSPP with captive seal

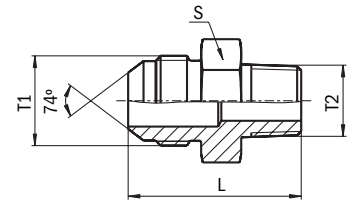


THREAD		LENGTH	HEX/FLATS	WORKING PRESSURE	ADAPTOR
T1	T2	L	S	WP	REF.
JIC	BSPP	mm	mm	bar	JIC
7/16"-20	1/8"-28	29.0	14.0	315	4MJ-2MBSPPWD
7/16"-20	1/4"-19	34.0	19.0	315	4MJ-4MBSPPWD
7/16"-20	3/8"-19	34.0	22.0	315	4MJ-6MBSPPWD
7/16"-20	1/2"-14	39.5	27.0	315	4MJ-8MBSPPWD
1/2"-20	1/8"-28	30.5	17.0	315	5MJ-2MBSPPWD
1/2"-20	1/4"-19	34.0	19.0	315	5MJ-4MBSPPWD
1/2"-20	3/8"-19	36.0	22.0	315	5MJ-6MBSPPWD
3/4"-18	1/8"-28	30.0	17.0	315	6MJ-2MBSPPWD
3/4"-18	1/4"-19	34.0	19.0	315	6MJ-4MBSPPWD
3/4"-18	3/8"-19	34.5	22.0	315	6MJ-6MBSPPWD
3/4"-18	1/2"-14	38.0	27.0	250	6MJ-8MBSPPWD
3/4"-18	3/4"-14	45.0	32.0	250	6MJ-12MBSPPWD
3/4"-16	1/4"-19	38.5	19.0	310	8MJ-4MBSPPWD
3/4"-16	3/8"-19	37.5	22.0	310	8MJ-6MBSPPWD
3/4"-16	1/2"-14	39.5	27.0	250	8MJ-8MBSPPWD
3/4"-16	3/4"-14	46.7	32.0	250	8MJ-12MBSPPWD
3/4"-16	1"-11	48.0	41.0	250	8MJ-16MBSPPWD
7/8"-14	3/8"-19	41.3	24.0	240	10MJ-6MBSPPWD
7/8"-14	1/2"-14	45.0	27.0	240	10MJ-8MBSPPWD
7/8"-14	3/4"-14	49.0	32.0	240	10MJ-12MBSPPWD
7/8"-14	1"-11	50.8	41.0	240	10MJ-16MBSPPWD
1.1/16"-12	1/2"-14	48.0	27.0	240	12MJ-8MBSPPWD
1.1/16"-12	3/4"-14	52.0	32.0	240	12MJ-12MBSPPWD
1.1/16"-12	1"-11	53.5	41.0	240	12MJ-16MBSPPWD
1.1/16"-12	1.1/4"-11	56.0	50.0	160	12MJ-20MBSPPWD
1.5/16"-12	3/4"-14	52.5	36.0	210	16MJ-12MBSPPWD
1.5/16"-12	1"-11	55.0	41.0	210	16MJ-16MBSPPWD
1.5/16"-12	1.1/4"-11	57.5	50.0	160	16MJ-20MBSPPWD
1.5/8"-12	3/4"-14	54.5	46.0	170	20MJ-12MBSPPWD
1.5/8"-12	1"-11	58.5	46.0	170	20MJ-16MBSPPWD
1.5/8"-12	1.1/4"-11	58.5	50.0	160	20MJ-20MBSPPWD
1.5/8"-12	1.1/2"-11	63.5	55.0	160	20MJ-24MBSPPWD



JIC MJ-MP

JIC 37° male / male NPT



THREAD		LENGTH	HEX/FLATS	WORKING PRESSURE	ADAPTOR
T1	T2	L	S	WP	REF.
JIC	NPT	mm	mm	bar	JIC
7/16"-20	1/8"-27	31.0	14.0	345	4MJ-2MP
7/16"-20	1/4"-18	36.1	14.0	275	4MJ-4MP
7/16"-20	3/8"-18	36.1	19.0	210	4MJ-6MP
1/2"-20	1/8"-27	31.0	14.0	345	5MJ-2MP
1/2"-20	1/4"-18	36.1	14.0	275	5MJ-4MP
9/16"-18	1/4"-18	36.3	17.0	275	6MJ-4MP
9/16"-18	3/8"-18	36.3	19.0	210	6MJ-6MP
9/16"-18	1/2"-14	42.9	22.0	210	6MJ-8MP
3/4"-16	3/8"-18	38.9	22.0	210	8MJ-6MP
3/4"-16	1/2"-14	45.5	22.0	210	8MJ-8MP
3/4"-16	3/4"-14	47.0	27.0	170	8MJ-12MP
7/8"-14	3/8"-18	43.2	24.0	210	10MJ-6MP
7/8"-14	1/2"-14	48.0	24.0	210	10MJ-8MP
7/8"-14	3/4"-14	49.5	27.0	170	10MJ-12MP
7/8"-14	1"-11.5	54.6	36.0	140	10MJ-16MP
1.1/16"-12	3/4"-14	52.3	27.0	170	12MJ-12MP
1.1/4"-12	1"-11.5	57.2	36.0	140	12MJ-16MP
1.5/16"-12	1"-11.5	58.4	36.0	140	16MJ-16MP

INTRODUCTION

BSP ADAPTORS

JIC ADAPTORS

ORFS ADAPTORS

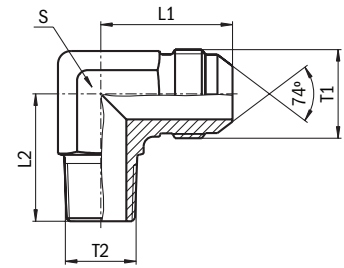
PRESSURE WASH ADAPTORS

QUICK-LOK ADAPTORS



JIC MJ-MP90

JIC 37° male / male NPT 90° elbow

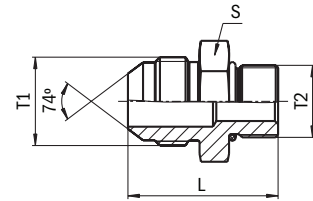


THREAD		LENGTH		HEX/FLATS	WORKING PRESSURE	ADAPTOR
T1	T2	L1	L2	S	WP	REF.
JIC	NPT	mm	mm	mm	bar	JIC
7/16"-20	1/8"-27	22.6	19.8	11.0	345	4MJ-2MP90
7/16"-20	1/4"-18	26.7	27.7	14.0	275	4MJ-4MP90
9/16"-18	1/4"-18	26.9	27.7	14.0	275	6MJ-4MP90
9/16"-18	3/8"-18	29.0	31.0	19.0	210	6MJ-6MP90
9/16"-18	1/2"-14	31.0	37.3	22.0	210	6MJ-8MP90
3/4"-16	1/2"-14	33.8	37.3	22.0	210	8MJ-8MP90
7/8"-14	1/2"-14	36.8	37.3	22.0	210	10MJ-8MP90
1.1/16"-12	3/4"-14	42.2	40.4	27.0	170	12MJ-12MP90
1.5/16"-12	1"-11.5	46.0	50.0	33.0	140	16MJ-16MP90



JIC MJ-MB

JIC 37° male / male SAE 'O' Ring bos



THREAD		LENGTH	HEX/FLATS	WORKING PRESSURE	ADAPTOR
T1	T2	L	S	WP	REF.
JIC	SAE O	mm	mm	bar	JIC
7/16"-20	7/16"-20 UNF	31.2	14.0	315	4MJ-4MB
7/16"-20	9/16"-18 UNF	32.8	17.0	315	4MJ-6MB
7/16"-20	3/4"-16 UNF	34.8	22.0	315	4MJ-8MB
7/16"-20	7/8"-14 UNF	37.9	27.0	250	4MJ-10MB
1/2"-20	7/16"-20 UNF	31.2	17.0	315	5MJ-4MB
1/2"-20	1/2"-20 UNF	31.2	17.0	315	5MJ-5MB
1/2"-20	9/16"-18 UNF	32.8	17.0	315	5MJ-6MB
9/16"-18	7/16"-20 UNF	32.3	17.0	315	6MJ-4MB
9/16"-18	9/16"-18 UNF	33.0	17.0	315	6MJ-6MB
9/16"-18	3/4"-16 UNF	35.0	22.0	315	6MJ-8MB
9/16"-18	7/8"-14 UNF	38.0	27.0	250	6MJ-10MB
9/16"-18	1.1/16"-12 UN	42.2	32.0	250	6MJ-12MB
3/4"-16	9/16"-18 UNF	36.6	19.0	310	8MJ-6MB
3/4"-16	3/4"-16 UNF	37.6	22.0	310	8MJ-8MB
3/4"-16	7/8"-14 UNF	40.6	27.0	250	8MJ-10MB
3/4"-16	1.1/16"-12 UN	44.7	32.0	250	8MJ-12MB
3/4"-16	1.5/16"-12 UN	45.5	41.0	200	8MJ-16MB
7/8"-14	3/4"-16 UNF	41.7	24.0	240	10MJ-8MB
7/8"-14	7/8"-14 UNF	43.2	27.0	240	10MJ-10MB
7/8"-14	1.1/16"-12 UN	47.2	32.0	240	10MJ-12MB
1.1/16"-12	3/4"-16 UNF	49.3	30.0	240	12MJ-8MB
1.1/16"-12	7/8"-14 UNF	47.8	30.0	240	12MJ-10MB
1.1/16"-12	1.1/16"-12 UN	50.0	32.0	240	12MJ-12MB
1.1/16"-12	1.5/16"-12 UN	50.6	41.0	200	12MJ-16MB
1.5/16"-12	1.1/16"-12 UN	51.8	36.0	210	16MJ-12MB
1.5/16"-12	1.5/16"-12 UN	51.8	41.0	200	16MJ-16MB
1.5/16"-12	1.5/8"-12 UN	53.9	50.0	160	16MJ-20MB
1.5/8"-12	1.1/16"-12 UN	58.4	46.0	170	20MJ-12MB

INTRODUCTION

BSP ADAPTORS

JIC ADAPTORS

ORFS ADAPTORS

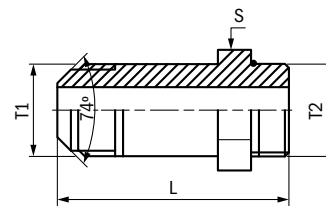
PRESSURE WASH ADAPTORS

QUICK-LOK ADAPTORS



JIC MJ-MB LONG

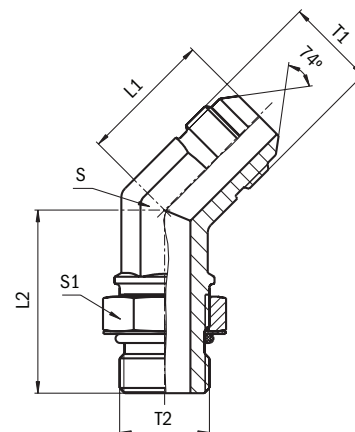
JIC 37° male / male SAE 'O' Ring boss long version



THREAD		LENGTH		HEX/FLATS	WORKING PRESSURE	ADAPTOR
T1	T2	L	S	WP	REF.	
JIC	SAE O	mm	mm	bar	JIC	
7/16"-20	7/16"-20 UNF	52.8	14.0	315	4MJ-4MB LONG	
9/16"-18	9/16"-18 UNF	58.5	17.0	315	6MJ-6MB LONG	

JIC MJ-MBA45

JIC 37° male / adjustable male SAE 'O' Ring boss 45° elbow

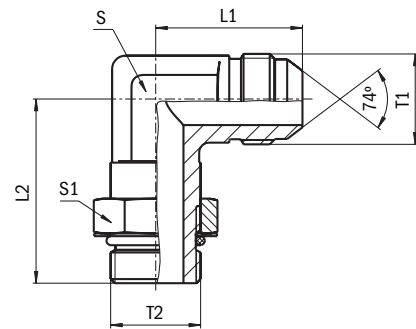


THREAD		LENGTH		HEX/FLATS		WORKING PRESSURE	ADAPTOR
T1	T2	L1	L2	S	S1	WP	REF.
JIC	SAE O	mm	mm	mm	mm	bar	JIC
7/16"-20	7/16"-20 UNF	18.3	26.7	11.0	14.0	315	4MJ-4MBA45
7/16"-20	9/16"-18 UNF	20.8	29.0	14.0	19.0	315	4MJ-6MBA45
9/16"-18	9/16"-18 UNF	21.1	29.0	14.0	19.0	315	6MJ-6MBA45
9/16"-18	3/4"-16 UNF	22.1	33.0	19.0	22.0	315	6MJ-8MBA45
3/4"-16	9/16"-18 UNF	24.9	29.7	19.0	19.0	310	8MJ-6MBA45
3/4"-16	3/4"-16 UNF	24.9	33.0	19.0	22.0	310	8MJ-8MBA45
3/4"-16	7/8"-14 UNF	25.2	38.6	22.0	27.0	250	8MJ-10MBA45
7/8"-14	3/4"-16 UNF	28.2	34.5	22.0	22.0	240	10MJ-8MBA45
7/8"-14	7/8"-14 UNF	28.2	38.6	22.0	27.0	240	10MJ-10MBA45
1.1/16"-12	1.1/16"-12 UN	32.5	43.9	27.0	32.0	240	12MJ-12MBA45
1.5/16"-12	1.5/16"-12 UN	37.3	47.2	33.0	41.0	200	16MJ-16MBA45



JIC MJ-MBA90

JIC 37° male / adjustable male
SAE 'O' Ring boss 90° elbow



THREAD		LENGTH		HEX/FLATS		WORKING PRESSURE	ADAPTOR
T1	T2	L1	L2	S	S1	WP	REF.
JIC	SAE O	mm	mm	mm	mm	bar	JIC
7/16"-20	7/16"-20 UNF	22.6	26.1	11.0	14.0	315	4MJ-4MBA90
7/16"-20	9/16"-18 UNF	26.7	31.8	14.0	19.0	315	4MJ-6MBA90
1/2"-20	1/2"-20 UNF	24.1	28.7	14.0	17.0	315	5MJ-5MBA90
9/16"-18	7/16"-20 UNF	26.9	30.2	14.0	14.0	315	6MJ-4MBA90
9/16"-18	9/16"-18 UNF	26.9	31.8	14.0	19.0	315	6MJ-6MBA90
9/16"-18	3/4"-16 UNF	29.0	36.8	19.0	22.0	315	6MJ-8MBA90
3/4"-16	9/16"-18 UNF	31.8	33.8	19.0	19.0	310	8MJ-6MBA90
3/4"-16	3/4"-16 UNF	31.8	36.8	19.0	22.0	310	8MJ-8MBA90
3/4"-16	7/8"-14 UNF	33.8	43.2	22.0	27.0	250	8MJ-10MBA90
7/8"-14	7/8"-14 UNF	36.8	43.2	22.0	27.0	240	10MJ-10MBA90
7/8"-14	1.1/16"-12 UN	39.1	49.3	27.0	32.0	240	10MJ-12MBA90
1.1/16"-12	1.1/16"-12 UN	42.2	49.3	27.0	32.0	240	12MJ-12MBA90
1.1/16"-12	1.5/16"-12 UN	44.7	52.1	33.0	41.0	200	12MJ-16MBA90
1.5/16"-12	1.5/16"-12 UN	46.0	52.1	33.0	41.0	200	16MJ-16MBA90

INTRODUCTION

BSP ADAPTORS

JIC ADAPTORS

ORFS ADAPTORS

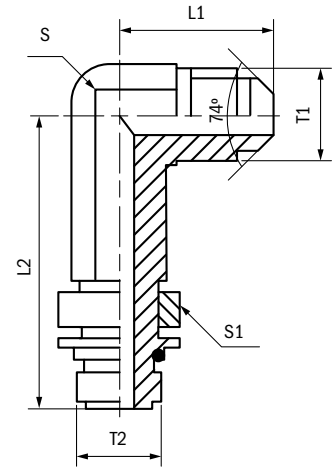
PRESSURE WASH ADAPTORS

QUICK-LOK ADAPTORS



JIC MJ-MBA90 LONG

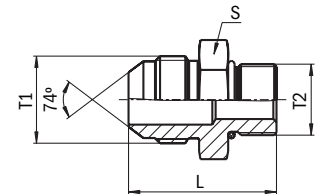
JIC 37° male / adjustable male
SAE 'O' Ring boss 90° elbow long version



THREAD		LENGTH		HEX/FLATS		WORKING PRESSURE	ADAPTOR
T1	T2	L1	L2	S	S1	WP	REF.
JIC	SAE O	mm	mm	mm	mm	bar	JIC
7/16"-20	7/16"-20 UNF	22.6	43.9	11.0	14.0	315	4MJ-4MBA90 LONG

JIC MJ-MMOR

JIC 37° male / male metric with O-Ring

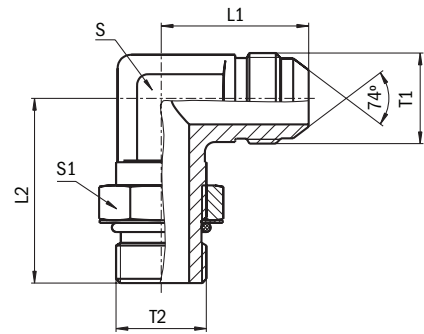


THREAD		LENGTH	HEX/FLATS	WORKING PRESSURE	ADAPTOR
T1	T2	L	S	WP	REF.
JIC	METRIC	mm	mm	bar	JIC
7/16"-20	M10x1	30.0	14.0	250	4MJ-10MMOR
9/16"-18	M14x1.5	33.5	19.0	250	6MJ-14MMOR
9/16"-18	M16x1.5	35.0	22.0	250	6MJ-16MMOR
9/16"-18	M18x1.5	37.0	24.0	250	6MJ-18MMOR
3/4"-16	M16x1.5	38.0	22.0	250	8MJ-16MMOR
3/4"-16	M18x1.5	39.5	24.0	250	8MJ-18MMOR
7/8"-14	M14x1.5	41.0	24.0	240	10MJ-14MMOR
7/8"-14	M18x1.5	42.0	24.0	240	10MJ-18MMOR
7/8"-14	M22x1.5	44.5	27.0	160	10MJ-22MMOR
1.1/16"-12	M22x1.5	45.5	27.0	160	12MJ-22MMOR
1.1/16"-12	M27x2	51.0	32.0	160	12MJ-27MMOR



JIC MJ-MMAOR90

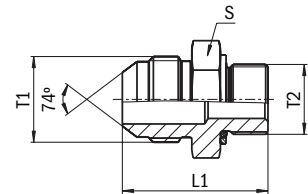
JIC 37° male / adjustable male metric
90° elbow with O-Ring



THREAD		LENGTH		HEX/FLATS		WORKING PRESSURE	ADAPTOR
T1	T2	L1	L2	S	S1	WP	REF.
JIC	METRIC	mm	mm	mm	mm	bar	JIC
1/2"-20	M12x1.5	27.0	31.5	14.0	17.0	250	5MJ-12MMAOR90
3/8"-18	M14x1.5	27.0	32.5	14.0	19.0	250	6MJ-14MMAOR90
3/4"-16	M18x1.5	31.5	37.0	19.0	24.0	250	8MJ-18MMAOR90
7/8"-14	M18x1.5	36.5	41.5	22.0	24.0	240	10MJ-18MMAOR90
7/8"-14	M22x1.5	36.5	43.0	22.0	27.0	240	10MJ-22MMAOR90
1.1/16"-12	M22x1.5	42.0	45.5	27.0	27.0	240	12MJ-22MMAOR90
1.1/16"-12	M27x2	42.0	51.5	27.0	32.0	240	12MJ-27MMAOR90

JIC MJ-MMCOR

JIC 37° male / male metric with O-Ring and retaining ring



THREAD		LENGTH	HEX/FLATS	WORKING PRESSURE	ADAPTOR
T1	T2	L	S	WP	REF.
JIC	METRIC	mm	mm	bar	JIC
3/8"-18	M14x1.5	33.5	19.0	250	6MJ-14MMCOR
3/8"-18	M18x1.5	37.0	24.0	250	6MJ-18MMCOR

INTRODUCTION

BSP ADAPTORS

JIC ADAPTORS

ORFS ADAPTORS

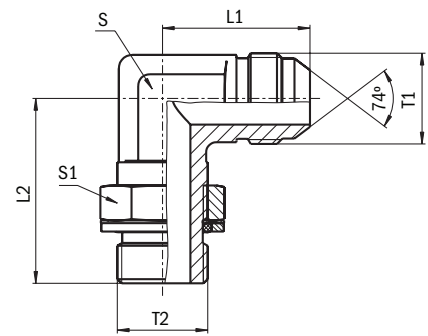
PRESSURE WASH ADAPTORS

QUICK-LOK ADAPTORS



JIC MJ-MMACOR90

JIC 37° male / adjustable male metric
90° elbow with O-Ring and retaining ring

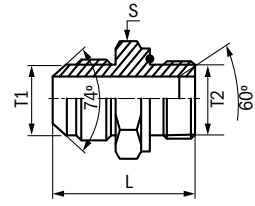


THREAD		LENGTH		HEX/FLATS		WORKING PRESSURE	ADAPTOR
T1	T2	L1	L2	S	S1	WP	REF.
JIC	METRIC	mm	mm	mm	mm	bar	JIC
7/16"-20	M10x1	22.5	27.5	11.0	14.0	250	4MJ-10MMACOR90



JIC MJ-MMWD

JIC 37° male / male metric with captive seal



THREAD		LENGTH	HEX/FLATS	WORKING PRESSURE	ADAPTOR
T1	T2	L	S	WP	REF.
JIC	METRIC	mm	mm	bar	JIC
3/16"-18	M12x1.5	34.5	17.0	350	6MJ-12MMWD
3/16"-18	M14x1.5	33.0	19.0	350	6MJ-14MMWD
3/16"-18	M16x1.5	36.5	22.0	350	6MJ-16MMWD
3/16"-18	M18x1.5	35.0	24.0	350	6MJ-18MMWD
3/16"-18	M22x1.5	38.2	27.0	350	6MJ-22MMWD
3/4"-16	M14x1.5	38.5	22.0	310	8MJ-14MMWD
3/4"-16	M16x1.5	37.7	22.0	310	8MJ-16MMWD
3/4"-16	M18x1.5	39.0	24.0	310	8MJ-18MMWD
3/4"-16	M22x1.5	40.7	27.0	310	8MJ-22MMWD
7/8"-14	M16x1.5	41.0	24.0	240	10MJ-16MMWD
7/8"-14	M18x1.5	41.5	24.0	240	10MJ-18MMWD
7/8"-14	M22x1.5	43.5	27.0	240	10MJ-22MMWD
7/8"-14	M27x2	47.3	32.0	240	10MJ-27MMWD
1.1/16"-12	M22x1.5	46.5	30.0	240	12MJ-22MMWD
1.1/16"-12	M26x1.5	50.0	32.0	160	12MJ-26MMWD
1.1/16"-12	M33x2	50.5	41.0	240	12MJ-33MMWD
1.5/16"-12	M33x2	51.5	41.0	210	16MJ-33MMWD
1.5/8"-12	M33x2	56.5	46.0	170	20MJ-33MMWD
1.5/8"-12	M42x2	59.5	50.0	170	20MJ-42MMWD
1.5/8"-12	M48x2	66.0	55.0	170	20MJ-48MMWD

INTRODUCTION

BSP ADAPTORS

JIC ADAPTORS

ORFS ADAPTORS

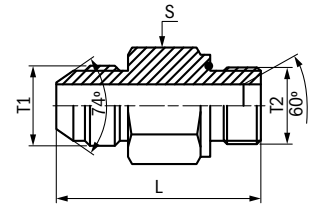
PRESSURE WASH ADAPTORS

QUICK-LOK ADAPTORS



JIC MJ-MMWD LONG

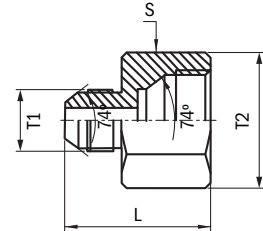
JIC 37° male / male metric with captive seal long version



THREAD		LENGTH	HEX/FLATS		WORKING PRESSURE	ADAPTOR
T1	T2	L	S		WP	REF.
JIC	METRIC	mm	mm		bar	JIC
7/8"-14	M26x1.5	59.0	32.0		160	10MJ-26MMWD LONG
1.5/8"-12	M42x2	88.0	50.0		100	20MJ-42MMWD LONG

JIC MJ-FJ FIXED

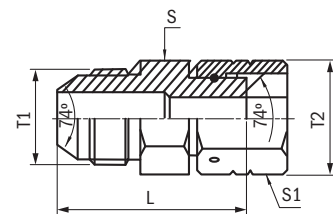
JIC 37° male / female with fixed nut (non swivelling version)



THREAD		LENGTH	HEX/FLATS		WORKING PRESSURE	ADAPTOR
T1	T2	L	S		WP	REF.
JIC	JIC F	mm	mm		bar	JIC
3/4"-16	3/4"-16	36.3	24.0		310	8MJ-8FJ FIXED

JIC MJ-FJX-W/N

JIC 37° male / female with wire-on-nut

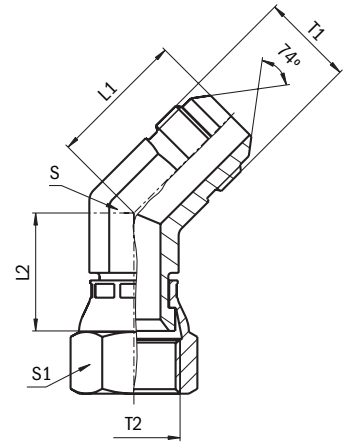


THREAD		LENGTH	HEX/FLATS			WORKING PRESSURE	ADAPTOR
T1	T2	L	S	S1	WP	REF.	
JIC	JIC F	mm	mm	mm	bar	JIC	
1/16"-18	1/16"-18	33.0	17.0	19.0	350	6MJ-6FJX-W/N	
1/16"-18	3/4"-16	36.0	22.0	22.0	310	6MJ-8FJX-W/N	
3/4"-16	1/16"-18	36.5	22.0	19.0	310	8MJ-6FJX-W/N	
3/4"-16	3/4"-16	38.5	22.0	22.0	310	8MJ-8FJX-W/N	
7/8"-14	3/4"-16	43.0	24.0	22.0	240	10MJ-8FJX-W/N	
1.5/16"-12	1.5/16"-12	50.5	36.0	41.0	210	16MJ-16FJX-W/N	



JIC MJ-FJX45

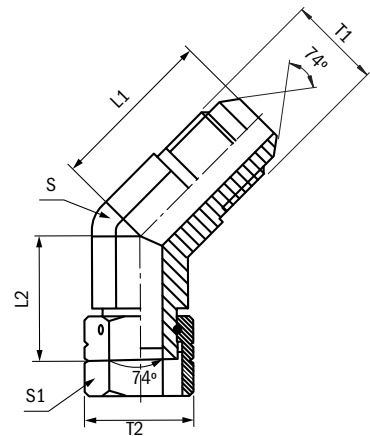
JIC 37° male / female swivel 45° elbow



THREAD		LENGTH		HEX/FLATS		WORKING PRESSURE	ADAPTOR
T1	T2	L1	L2	S	S1	WP	REF.
JIC	JIC F	mm	mm	mm	mm	bar	JIC
7/16"-20	7/16"-20	18.3	14.9	11.0	14.0	350	4MJ-4FJX45
1/2"-20	1/2"-20	19.6	15.6	14.0	17.0	350	5MJ-5FJX45
9/16"-18	9/16"-18	21.1	18.9	14.0	19.0	350	6MJ-6FJX45
3/4"-16	3/4"-16	24.9	21.8	19.0	22.0	310	8MJ-8FJX45
7/8"-14	7/8"-14	28.2	28.2	22.0	27.0	240	10MJ-10FJX45
1.1/16"-12	1.1/16"-12	32.5	32.5	27.0	32.0	240	12MJ-12FJX45
1.5/16"-12	1.5/16"-12	37.3	37.3	33.0	41.0	210	16MJ-16FJX45

JIC MJ-FJX45-W/N

JIC 37° male / female swivel 45° elbow with wire-on-nut



THREAD		LENGTH		HEX/FLATS		WORKING PRESSURE	ADAPTOR
T1	T2	L1	L2	S	S1	WP	REF.
JIC	JIC F	mm	mm	mm	mm	bar	JIC
9/16"-18	9/16"-18	21.1	18.9	14.0	19.0	350	6MJ-6FJX45-W/N
7/8"-14	7/8"-14	28.2	23.9	22.0	27.0	240	10MJ-10FJX45-W/N

INTRODUCTION

BSP ADAPTORS

JIC ADAPTORS

ORFS ADAPTORS

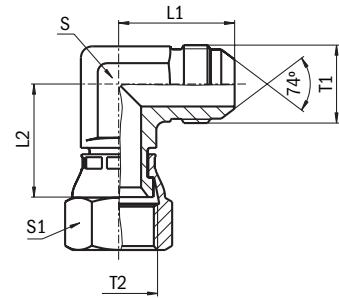
PRESSURE WASH ADAPTORS

QUICK-LOK ADAPTORS



JIC MJ-FJX90

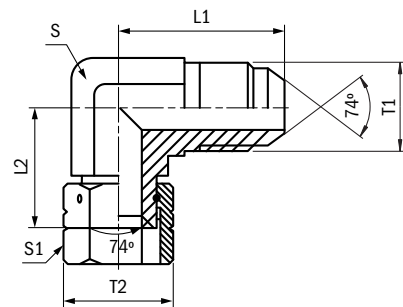
JIC 37° male / female swivel 90° elbow



THREAD		LENGTH		HEX/FLATS		WORKING PRESSURE	ADAPTOR
T1	T2	L1	L2	S	S1	WP	REF.
JIC	JIC F	mm	mm	mm	mm	bar	JIC
7/16"-20	7/16"-20	22.6	16.7	11.0	14.0	350	4MJ-4FJX90
1/2"-20	1/2"-20	24.1	17.4	14.0	17.0	350	5MJ-5FJX90
9/16"-18	9/16"-18	26.9	22.2	14.0	19.0	350	6MJ-6FJX90
3/4"-16	3/4"-16	31.8	24.3	19.0	22.0	310	8MJ-8FJX90
7/8"-14	7/8"-14	36.8	28.5	22.0	27.0	240	10MJ-10FJX90
1.1/16"-12	1.1/16"-12	42.2	30.2	27.0	32.0	240	12MJ-12FJX90
1.3/16"-12	1.3/16"-12	45.7	30.5	33.0	36.0	210	14MJ-14FJX90
1.5/16"-12	1.5/16"-12	46.0	35.7	33.0	41.0	210	16MJ-16FJX90
1.5/8"-12	1.5/8"-12	52.3	42.8	41.0	50.0	170	20MJ-20FJX90

JIC MJ-FJX90-W/N

JIC 37° male / female swivel 90° elbow with wire-on-nut

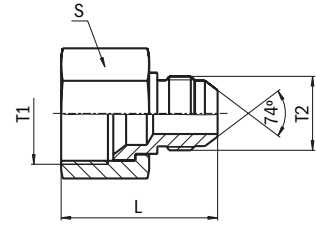


THREAD		LENGTH		HEX/FLATS		WORKING PRESSURE	ADAPTOR
T1	T2	L1	L2	S	S1	WP	REF.
JIC	JIC F	mm	mm	mm	mm	bar	JIC
9/16"-18	9/16"-18	26.9	22.2	14.0	19.0	350	6MJ-6FJX90-W/N
3/4"-16	3/4"-16	31.8	24.3	19.0	22.0	310	8MJ-8FJX90-W/N
7/8"-14	7/8"-14	36.8	28.5	22.0	27.0	240	10MJ-10FJX90-W/N
1.1/16"-12	1.1/16"-12	42.2	30.2	27.0	32.0	240	12MJ-12FJX90-W/N
1.5/16"-12	1.5/16"-12	46.0	35.7	33.0	41.0	210	16MJ-16FJX90-W/N



JIC FJX-MJ

JIC 37° female swivel / male tube reducer



THREAD		LENGTH	HEX/FLATS	WORKING PRESSURE	ADAPTOR
T1	T2	L	S	WP	REF.
JIC F	JIC	mm	mm	bar	JIC
3/16"-18	7/16"-20	24.6	19.0	350	6FJX-4MJ
3/4"-16	3/16"-18	25.5	22.0	310	8FJX-6MJ
7/8"-14	7/16"-20	26.1	27.0	240	10FJX-4MJ
7/8"-14	3/16"-18	28.5	27.0	240	10FJX-6MJ
7/8"-14	3/4"-16	29.5	27.0	240	10FJX-8MJ
1.1/16"-12	7/16"-20	27.7	32.0	240	12FJX-4MJ
1.1/16"-12	3/4"-16	30.4	32.0	240	12FJX-8MJ
1.1/16"-12	7/8"-14	32.8	32.0	240	12FJX-10MJ
1.5/16"-12	3/16"-18	30.0	41.0	210	16FJX-6MJ
1.5/16"-12	7/8"-14	34.6	41.0	210	16FJX-10MJ
1.5/16"-12	1.1/16"-12	37.3	41.0	210	16FJX-12MJ
1.7/8"-12	1.5/16"-12	42.0	60.0	140	24FJX-16MJ

INTRODUCTION

BSP ADAPTORS

JIC ADAPTORS

ORFS ADAPTORS

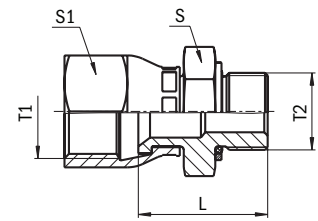
PRESSURE WASH ADAPTORS

QUICK-LOK ADAPTORS



JIC FJX-MBSPPCOR

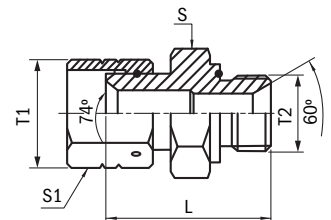
JIC 37° female swivel / male BSPP with O-Ring and retaining ring



THREAD		LENGTH	HEX/FLATS		WORKING PRESSURE	ADAPTOR
T1	T2	L	S	S1	WP	REF.
JIC F	BSPP	mm	mm	mm	bar	JIC
7/16"-20	1/8"-28	33.5	14.0	14.0	200	4FJX-2MBSPPCOR
7/16"-20	1/4"-19	39.0	19.0	17.0	200	4FJX-4MBSPPCOR
1/2"-20	1/8"-28	24.0	17.0	17.0	200	5FJX-2MBSPPCOR
9/16"-18	1/4"-19	42.0	19.0	19.0	200	6FJX-4MBSPPCOR
9/16"-18	3/8"-19	42.0	22.0	19.0	200	6FJX-6MBSPPCOR
3/4"-16	3/8"-19	43.5	22.0	24.0	200	8FJX-6MBSPPCOR
3/4"-16	1/2"-14	47.0	27.0	24.0	200	8FJX-8MBSPPCOR
7/8"-14	3/8"-19	47.0	24.0	27.0	200	10FJX-6MBSPPCOR
7/8"-14	1/2"-14	50.0	27.0	27.0	200	10FJX-8MBSPPCOR
7/8"-14	3/4"-14	38.0	36.0	27.0	200	10FJX-12MBSPPCOR
1.1/16"-12	1/2"-14	52.5	30.0	32.0	200	12FJX-8MBSPPCOR
1.1/16"-12	3/4"-14	55.5	36.0	32.0	200	12FJX-12MBSPPCOR
1.5/16"-12	1"-11	60.5	46.0	41.0	200	16FJX-16MBSPPCOR
1.5/8"-12	1.1/4"-11	67.0	50.0	50.0	160	20FJX-20MBSPPCOR
1.7/8"-12	1.1/2"-11	76.0	55.0	55.0	140	24FJX-24MBSPPCOR

JIC FJX-MBSPPWD-W/N

JIC 37° female swivel with wire-on-nut / male BSPP with captive seal

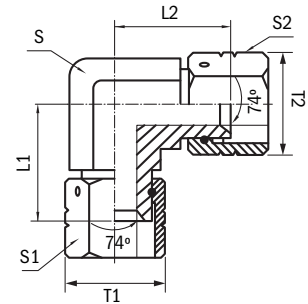


THREAD		LENGTH	HEX/FLATS		WORKING PRESSURE	ADAPTOR
T1	T2	L	S	S1	WP	REF.
JIC F	BSPP	mm	mm	mm	bar	JIC
9/16"-18	3/8"-19	33.5	22.0	19.0	315	6FJX-6MBSPPWD-W/N
9/16"-18	1/2"-14	36.5	27.0	19.0	250	6FJX-8MBSPPWD-W/N
3/4"-16	1/4"-19	32.0	19.0	22.0	310	8FJX-4MBSPPWD-W/N
3/4"-16	1/2"-14	37.5	27.0	22.0	250	8FJX-8MBSPPWD-W/N
1.5/16"-12	1"-11	48.5	41.0	41.0	210	16FJX-16MBSPPWD-W/N



JIC FJX-FJX90-W/N

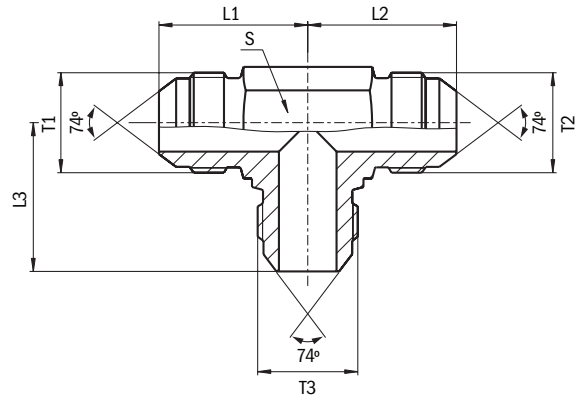
JIC 37° female swivel / female swivel 90° elbow with wire-on-nut



THREAD		LENGTH		HEX/FLATS		WORKING PRESSURE	ADAPTOR
T1	T2	L1	L2	S	S1 & S2	WP	REF.
JIC F	JIC F	mm	mm	mm	mm	bar	JIC
3/4"-16	3/4"-16	24.3	24.3	19.0	22.0	310	8FJX-8FJX90-W/N

JIC MJ-MJ-MJ

JIC 37° male / male / male "T"



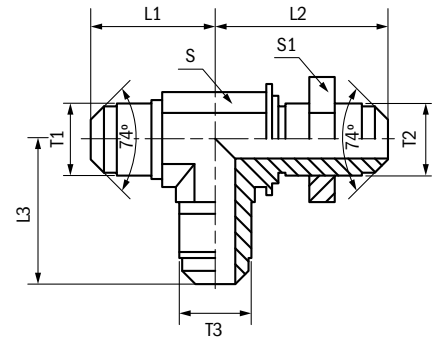
THREAD			LENGTH			HEX/FLATS	WORKING PRESSURE	ADAPTOR
T1	T2	T3	L1	L2	L3	S	WP	REF.
JIC	JIC	JIC	mm	mm	mm	mm	bar	JIC
7/16"-20	7/16"-20	7/16"-20	22.6	22.6	22.6	11.0	350	4MJ-4MJ-4MJ
1/2"-20	1/2"-20	1/2"-20	24.1	24.1	24.1	14.0	350	5MJ-5MJ-5MJ
9/16"-18	9/16"-18	9/16"-18	26.9	26.9	26.9	14.0	350	6MJ-6MJ-6MJ
3/4"-16	3/4"-16	3/4"-16	31.8	31.8	31.8	19.0	310	8MJ-8MJ-8MJ
7/8"-14	7/8"-14	7/8"-14	36.8	36.8	36.8	22.0	240	10MJ-10MJ-10MJ
1 1/16"-12	1 1/16"-12	1 1/16"-12	42.2	42.2	42.2	27.0	240	12MJ-12MJ-12MJ
1 5/16"-12	1 5/16"-12	1 5/16"-12	46.0	46.0	46.0	33.0	210	16MJ-16MJ-16MJ

INTRODUCTION
 BSP ADAPTORS
 JIC ADAPTORS
 ORFS ADAPTORS
 PRESSURE WASH ADAPTORS
 QUICK-LOK ADAPTORS



JIC MJ-MJBKHD-MJ

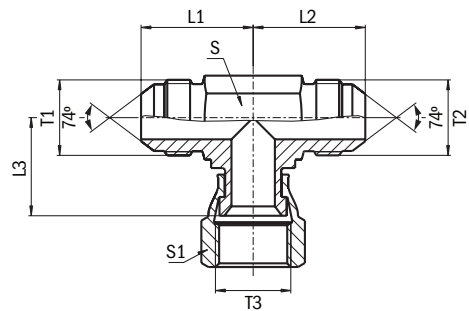
JIC 37° male / male bulkhead / male "run T"



THREAD			LENGTH			HEX/FLATS		WORKING PRESSURE	ADAPTOR
T1	T2	T3	L1	L2	L3	S	S1	WP	REF.
JIC	JIC	JIC	mm	mm	mm	mm	mm	bar	JIC
3/4"-16	3/4"-16	3/4"-16	34.5	53.6	34.5	19.0	24.0	310	8MJ-8MJBKHD-8MJ

JIC MJ-MJ-FJX

JIC 37° male / male / female swivel "branch T"

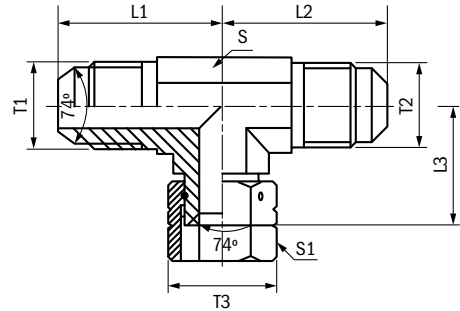


THREAD			LENGTH			HEX/FLATS		WORKING PRESSURE	ADAPTOR
T1	T2	T3	L1	L2	L3	S	S1	WP	REF.
JIC	JIC	JIC F	mm	mm	mm	mm	mm	bar	JIC
7/16"-20	7/16"-20	7/16"-20	22.6	22.6	16.7	11.0	14.0	350	4MJ-4MJ-4FJX
1/2"-20	1/2"-20	1/2"-20	24.1	24.1	17.4	14.0	17.0	350	5MJ-5MJ-5FJX
9/16"-18	9/16"-18	9/16"-18	26.9	26.9	22.2	14.0	19.0	350	6MJ-6MJ-6FJX
3/4"-16	3/4"-16	3/4"-16	31.8	31.8	24.3	19.0	22.0	310	8MJ-8MJ-8FJX
7/8"-14	7/8"-14	7/8"-14	36.8	36.8	28.5	22.0	27.0	240	10MJ-10MJ-10FJX
1.1/16"-12	1.1/16"-12	1.1/16"-12	42.2	42.2	30.2	27.0	32.0	240	12MJ-12MJ-12FJX
1.5/16"-12	1.5/16"-12	1.5/16"-12	46.0	46.0	35.7	33.0	41.0	210	16MJ-16MJ-16FJX



JIC MJ-MJ-FJX-W/N

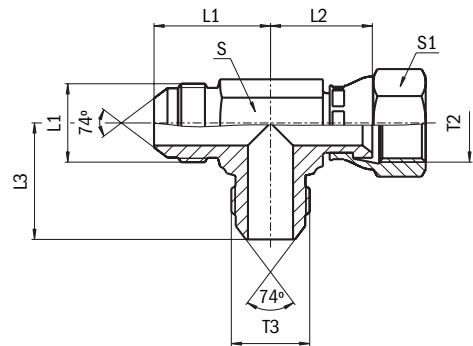
JIC 37° male / male / female swivel with wire-on-nut "branch T"



THREAD			LENGTH			HEX/FLATS		WORKING PRESSURE	ADAPTOR
T1	T2	T3	L1	L2	L3	S	S1	WP	REF.
JIC	JIC	JIC F	mm	mm	mm	mm	mm	bar	JIC
1/16"-18	1/16"-18	1/16"-18	26.9	26.9	22.2	14.0	19.0	350	6MJ-6MJ-6FJX-W/N
3/4"-16	3/4"-16	3/4"-16	31.8	31.8	24.3	19.0	22.0	310	8MJ-8MJ-8FJX-W/N
7/8"-14	1/16"-18	7/8"-14	36.8	33.5	28.5	22.0	27.0	240	10MJ-6MJ-10FJX-W/N
7/8"-14	7/8"-14	7/8"-14	36.8	36.8	28.5	22.0	27.0	240	10MJ-10MJ-10FJX-W/N

JIC MJ-FJX-MJ

JIC 37° male / female swivel / male "run T"



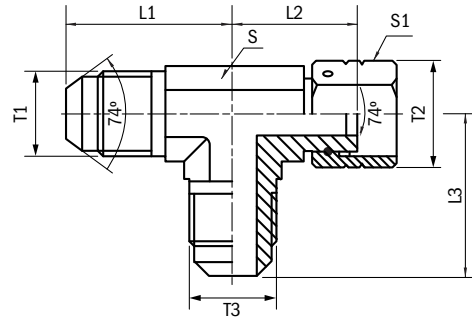
THREAD			LENGTH			HEX/FLATS		WORKING PRESSURE	ADAPTOR
T1	T2	T3	L1	L2	L3	S	S1	WP	REF.
JIC	JIC F	JIC	mm	mm	mm	mm	mm	bar	JIC
7/16"-20	7/16"-20	7/16"-20	22.6	26.6	22.6	11.0	14.0	350	4MJ-4FJX-4MJ
1/2"-20	1/2"-20	1/2"-20	24.1	17.4	24.1	14.0	17.0	350	5MJ-5FJX-5MJ
9/16"-18	9/16"-18	9/16"-18	26.9	22.2	26.9	14.0	19.0	350	6MJ-6FJX-6MJ
3/4"-16	3/4"-16	3/4"-16	31.8	24.3	31.8	19.0	22.0	310	8MJ-8FJX-8MJ
7/8"-14	7/8"-14	7/8"-14	36.8	28.6	36.8	22.0	27.0	240	10MJ-10FJX-10MJ
1.1/16"-12	1.1/16"-12	1.1/16"-12	42.2	30.2	42.2	27.0	32.0	240	12MJ-12FJX-12MJ
1.3/16"-12	1.3/16"-12	1.3/16"-12	45.7	35.7	45.7	31.0	36.0	210	14MJ-14FJX-14MJ
1.5/16"-12	1.5/16"-12	1.5/16"-12	46.0	35.7	46.0	31.0	41.0	210	16MJ-16FJX-16MJ
1.5/8"-12	1.5/8"-12	1.5/8"-12	52.3	42.8	52.3	41.0	50.0	170	20MJ-20FJX-20MJ

INTRODUCTION
 BSP ADAPTORS
 JIC ADAPTORS
 ORFS ADAPTORS
 PRESSURE WASH ADAPTORS
 QUICK-LOK ADAPTORS



JIC MJ-FJX-MJ-W/N

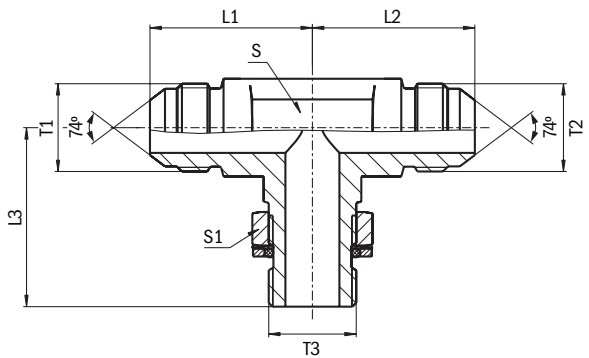
JIC 37° male / female swivel with wire-on nut / male "run T"



THREAD			LENGTH			HEX/FLATS		WORKING PRESSURE	ADAPTOR
T1	T2	T3	L1	L2	L3	S	S1	WP	REF.
JIC	JIC F	JIC	mm	mm	mm	mm	mm	bar	JIC
1/16"-18	1/16"-18	1/16"-18	26.9	22.2	26.9	14.0	19.0	350	6MJ-6FJX-6MJ-W/N
3/4"-16	3/4"-16	3/4"-16	31.8	24.3	31.8	19.0	22.0	310	8MJ-8FJX-8MJ-W/N
7/8"-14	7/8"-14	7/8"-14	36.8	28.5	36.8	22.0	27.0	240	10MJ-10FJX-10MJ-W/N
1.5/16"-12	1.5/16"-12	1.5/16"-12	46.0	35.7	46.0	33.0	41.0	210	16MJ-16FJX-16MJ-W/N

JIC MJ-MJ-MBSPPACOR

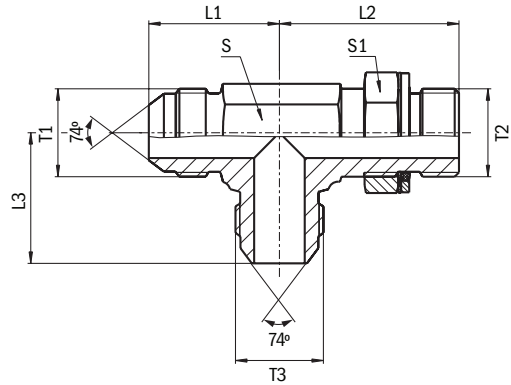
JIC 37° male / male / adjustable male BSPP with O-Ring and retaining ring "branch T"



THREAD			LENGTH			HEX/FLATS		WORKING PRESSURE	ADAPTOR
T1	T2	T3	L1	L2	L3	S	S1	WP	REF.
JIC	JIC	BSPP	mm	mm	mm	mm	mm	bar	JIC
7/16"-20	7/16"-20	1/8"-28	22.5	22.5	26.0	11.0	14.0	200	4MJ-4MJ-2MBSPPACOR
9/16"-18	9/16"-18	1/4"-19	27.0	27.0	31.8	14.0	19.0	200	6MJ-6MJ-4MBSPPACOR
3/4"-16	3/4"-16	3/8"-19	31.5	31.5	36.5	19.0	22.0	200	8MJ-8MJ-6MBSPPACOR
3/4"-16	3/4"-16	1/2"-14	34.0	34.0	43.0	22.0	27.0	200	8MJ-8MJ-8MBSPPACOR
7/8"-14	7/8"-14	1/2"-14	36.5	36.5	43.0	22.0	27.0	200	10MJ-10MJ-8MBSPPACOR
1.1/16"-12	1.1/16"-12	3/4"-14	42.0	42.0	49.0	27.0	36.0	200	12MJ-12MJ-12MBSPPACOR
1.5/16"-12	1.5/16"-12	1"-11	46.0	46.0	52.0	33.0	41.0	200	16MJ-16MJ-16MBSPPACOR

JIC MJ-MBSPACOR-MJ

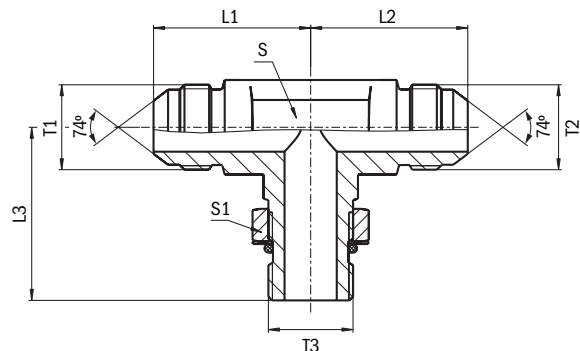
JIC 37° male / adjustable male BSPP with O-Ring and retaining ring male "run T"



THREAD			LENGTH			HEX/FLATS		WORKING PRESSURE	ADAPTOR
T1	T2	T3	L1	L2	L3	S	S1	WP	REF.
JIC	BSPP	JIC	mm	mm	mm	mm	mm	bar	JIC
7/16"-20	1/8"-28	7/16"-20	22.5	26.0	22.5	11.0	14.0	200	4MJ-2MBSPPACOR-4MJ
9/16"-18	1/4"-19	9/16"-18	27.0	31.5	27.0	14.0	19.0	200	6MJ-4MBSPPACOR-6MJ
3/4"-16	3/8"-19	3/4"-16	31.5	36.5	31.5	19.0	22.0	200	8MJ-6MBSPPACOR-8MJ
7/8"-14	1/2"-14	7/8"-14	36.5	43.0	36.5	22.0	27.0	200	10MJ-8MBSPPACOR-10MJ
1.1/16"-12	3/4"-14	1.1/16"-12	42.0	49.0	42.0	27.0	36.0	200	12MJ-12MBSPPACOR-12MJ
1.5/16"-12	1"-11	1.5/16"-12	46.0	52.0	46.0	33.0	41.0	200	16MJ-16MBSPPACOR-16MJ

JIC MJ-MJ-MBA

JIC 37° male / male adjustable male SAE 'O' Ring boss "branch T"



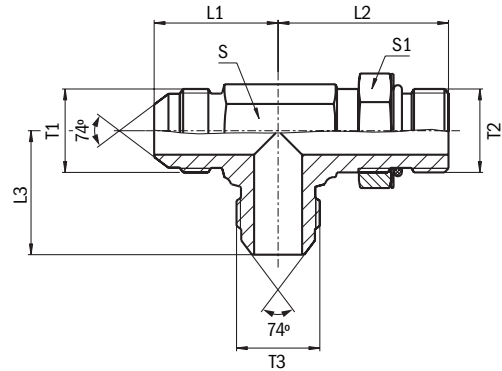
THREAD			LENGTH			HEX/FLATS		WORKING PRESSURE	ADAPTOR
T1	T2	T3	L1	L2	L3	S	S1	WP	REF.
JIC	JIC	SAE O	mm	mm	mm	mm	mm	bar	JIC
7/16"-20	7/16"-20	7/16"-20 UNF	22.6	22.6	26.2	11.0	14.0	315	4MJ-4MJ-4MBA
7/16"-20	7/16"-20	9/16"-18 UNF	26.7	26.7	31.8	14.0	19.0	315	4MJ-4MJ-6MBA
1/2"-20	1/2"-20	1/2"-20 UNF	24.1	24.1	28.7	14.0	17.0	315	5MJ-5MJ-5MBA
9/16"-18	9/16"-18	9/16"-18 UNF	26.9	26.9	31.8	14.0	19.0	315	6MJ-6MJ-6MBA
3/4"-16	3/4"-16	3/4"-16 UNF	31.8	31.8	36.8	19.0	22.0	310	8MJ-8MJ-8MBA
3/4"-16	3/4"-16	7/8"-14 UNF	33.8	33.8	43.2	22.0	27.0	250	8MJ-8MJ-10MBA
7/8"-14	7/8"-14	7/8"-14 UNF	36.8	36.8	43.1	22.0	27.0	240	10MJ-10MJ-10MBA
1.1/16"-12	1.1/16"-12	1.1/16"-12 UN	42.2	42.2	49.3	27.0	32.0	240	12MJ-12MJ-12MBA
1.5/16"-12	1.5/16"-12	1.5/16"-12 UN	46.0	46.0	52.1	33.0	41.0	200	16MJ-16MJ-16MBA

INTRODUCTION
 BSP ADAPTORS
 JIC ADAPTORS
 ORFS ADAPTORS
 PRESSURE WASH ADAPTORS
 QUICK-LOK ADAPTORS



JIC MJ-MBA-MJ

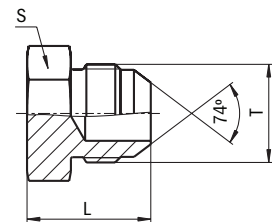
JIC 37° male / adjustable male
SAE 'O' Ring boss / male "run T"



THREAD			LENGTH			HEX/FLATS		WORKING PRESSURE	ADAPTOR
T1	T2	T3	L1	L2	L3	S	S1	WP	REF.
JIC	SAE O	JIC	mm	mm	mm	mm	mm	bar	JIC
7/16"-20	7/16"-20 UNF	7/16"-20	22.6	26.2	22.6	11.0	14.0	315	4MJ-4MBA-4MJ
1/2"-20	1/2"-20 UNF	1/2"-20	24.1	28.7	24.1	14.0	17.0	315	5MJ-5MBA-5MJ
9/16"-18	9/16"-18 UNF	9/16"-18	26.9	31.8	26.9	14.0	19.0	315	6MJ-6MBA-6MJ
3/4"-16	3/4"-16 UNF	3/4"-16	31.8	36.8	31.8	19.0	22.0	310	8MJ-8MBA-8MJ
7/8"-14	7/8"-14 UNF	7/8"-14	36.8	43.2	36.8	22.0	27.0	240	10MJ-10MBA-10MJ
1.1/16"-12	1.1/16"-12 UN	1.1/16"-12	42.2	49.3	36.8	27.0	32.0	240	12MJ-12MBA-8MJ
1.1/16"-12	1.1/16"-12 UN	1.1/16"-12	42.2	49.3	42.2	27.0	32.0	240	12MJ-12MBA-12MJ
1.5/16"-12	1.5/16"-12 UN	1.5/16"-12	46.0	52.1	46.0	33.0	41.0	200	16MJ-16MBA-16MJ

JIC MJ-PLUG

JIC 37° male plug

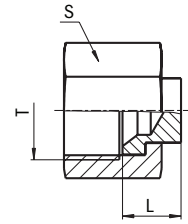


THREAD	LENGTH	HEX/FLATS	WORKING PRESSURE	ADAPTOR
T	L	S	WP	REF.
JIC	mm	mm	bar	JIC
7/16"-20	20.3	12.0	350	4MJ-PLUG
1/2"-20	20.3	14.0	350	5MJ-PLUG
9/16"-18	21.3	17.0	350	6MJ-PLUG
3/4"-16	23.9	19.0	310	8MJ-PLUG
7/8"-14	27.9	24.0	240	10MJ-PLUG
1.1/16"-12	32.5	27.0	240	12MJ-PLUG
1.5/16"-12	33.8	36.0	210	16MJ-PLUG



JIC FJ-CAP

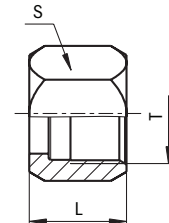
JIC 37° female swivel cap



THREAD	LENGTH	HEX/FLATS	WORKING PRESSURE	ADAPTOR
T	L	S	WP	REF.
JIC F	mm	mm	bar	JIC
7/16"-20	8.7	14.0	350	4FJ-CAP
1/2"-20	10.3	17.0	350	5FJ-CAP
9/16"-18	11.9	19.0	350	6FJ-CAP
3/4"-16	13.5	22.0	310	8FJ-CAP
7/8"-14	13.5	27.0	240	10FJ-CAP
1.1/16"-12	16.7	32.0	240	12FJ-CAP
1.5/16"-12	15.9	41.0	210	16FJ-CAP

JIC FJ-NUT

JIC 37° female nut



THREAD	LENGTH	HEX/FLATS	WORKING PRESSURE	ADAPTOR
T	L	S	WP	REF.
JIC F	mm	mm	bar	JIC
7/16"-20	15.8	14.0	350	4FJ-NUT
1/2"-20	17.3	17.0	350	5FJ-NUT
9/16"-18	18.5	19.0	350	6FJ-NUT
3/4"-16	21.6	22.0	310	8FJ-NUT
7/8"-14	24.9	27.0	240	10FJ-NUT
1.1/16"-12	26.2	32.0	240	12FJ-NUT
1.5/16"-12	28.7	41.0	210	16FJ-NUT
1.5/8"-12	31.2	50.0	170	20FJ-NUT
1.7/8"-12	36.1	60.0	140	24FJ-NUT

INTRODUCTION

BSP ADAPTORS

JIC ADAPTORS

ORFS ADAPTORS

PRESSURE WASH ADAPTORS

QUICK-LOK ADAPTORS



JIC-LOCKNUT

JIC locknut for bulkhead adaptor



THREAD	HEX/FLATS	ADAPTOR
T	S	REF.
JIC	mm	JIC
3/16"-18	22.0	6JIC-LOCKNUT

JIC TS METRIC

JIC 37° tube end sleeve for metric tubes

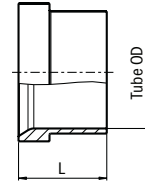


THREAD	LENGTH	WORKING PRESSURE	ADAPTOR
TUBE OD	L	WP	REF.
Metric	mm	bar	JIC
6	10.4	350	SLEEVE JIC 6TS METRIC
8	11.2	350	SLEEVE JIC 8TS METRIC
10	12.7	350	SLEEVE JIC 10TS METRIC
12	14.2	310	SLEEVE JIC 12TS METRIC
16	16.8	240	SLEEVE JIC 16TS METRIC
20	17.3	240	SLEEVE JIC 20TS METRIC
25	19.8	240	SLEEVE JIC 25TS METRIC
30	23.1	170	SLEEVE JIC 30TS METRIC
38	28.4	140	SLEEVE JIC 38TS METRIC



JIC TS IMPERIAL

JIC 37° tube end sleeve for imperial tubes



THREAD	LENGTH	WORKING PRESSURE	ADAPTOR
TUBE OD	L	WP	REF.
Metric	mm	bar	JIC
4	10.4	350	SLEEVE JIC TS04 IMPERIAL
5	11.2	350	SLEEVE JIC TS05 IMPERIAL
6	12.7	350	SLEEVE JIC TS06 IMPERIAL
8	14.2	310	SLEEVE JIC TS08 IMPERIAL
10	16.8	240	SLEEVE JIC TS10 IMPERIAL
12	17.3	240	SLEEVE JIC TS12 IMPERIAL
16	27.4	210	SLEEVE JIC TS16 IMPERIAL

INTRODUCTION

BSP ADAPTORS

JIC ADAPTORS

ORFS ADAPTORS

PRESSURE WASH
ADAPTORS

QUICK-LOK
ADAPTORS





33

32

31

PLEASE DO NOT BLOCK THE AISLE
WITH CRATES OR PALLETS
OR OTHER MATERIALS
OR EQUIPMENT



DRIVEN BY POSSIBILITY™

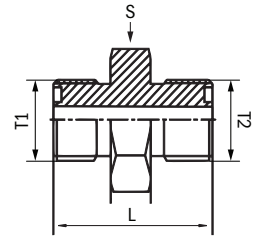
ORFS ADAPTORS





ORFS MFFOR-MFFOR

SAE flat face O-Ring male / male

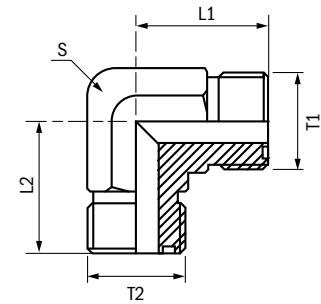


THREAD		LENGTH	HEX/FLATS	WORKING PRESSURE	ADAPTOR
T1	T2	L	S	WP	REF.
ORFS	ORFS	mm	mm	bar	ORFS
9/16"-18	9/16"-18	27.4	17.0	630	4MFFOR-4MFFOR
1 1/16"-16	9/16"-18	29.7	19.0	630	6MFFOR-4MFFOR
1 1/16"-16	1 1/16"-16	31.0	19.0	630	6MFFOR-6MFFOR
1 3/16"-16	1 1/16"-16	33.8	22.0	630	8MFFOR-6MFFOR
1 3/16"-16	1 3/16"-16	35.5	22.0	630	8MFFOR-8MFFOR
1"-14	1 3/16"-16	39.9	27.0	400	10MFFOR-8MFFOR
1"-14	1"-14	42.5	27.0	400	10MFFOR-10MFFOR
1 3/16"-12	1 3/16"-16	43.0	32.0	400	12MFFOR-8MFFOR
1 3/16"-12	1"-14	45.7	32.0	400	12MFFOR-10MFFOR
1 3/16"-12	1 3/16"-12	47.2	32.0	400	12MFFOR-12MFFOR
1 7/16"-12	1 3/16"-12	48.8	41.0	400	16MFFOR-12MFFOR
1 7/16"-12	1 7/16"-12	49.3	41.0	400	16MFFOR-16MFFOR
1 1 1/16"-12	1 7/16"-12	51.3	46.0	250	20MFFOR-16MFFOR
1 1 1/16"-12	1 1 1/16"-12	51.3	46.0	250	20MFFOR-20MFFOR
2"-12	2"-12	53.0	55.0	250	24MFFOR-24MFFOR



ORFS MFFOR-MFFOR90

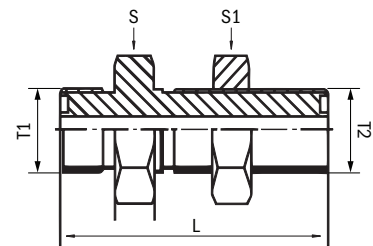
SAE flat face O-Ring male / male 90° elbow



THREAD		LENGTH		HEX/FLATS	WORKING PRESSURE	ADAPTOR
T1	T2	L1	L2	S	WP	REF.
ORFS	ORFS	mm	mm	mm	bar	ORFS
9/16"-18	9/16"-18	21.6	21.6	14.0	630	4MFFOR-4MFFOR90
1 1/16"-16	1 1/16"-16	24.9	24.9	19.0	630	6MFFOR-6MFFOR90
1 3/16"-16	1 3/16"-16	28.0	28.0	19.0	630	8MFFOR-8MFFOR90
1"-14	1"-14	33.3	33.3	27.0	400	10MFFOR-10MFFOR90
1 3/16"-12	1 3/16"-16	37.5	37.5	30.0	400	12MFFOR-12MFFOR90
1 7/16"-12	1 7/16"-12	41.7	41.7	36.0	400	16MFFOR-16MFFOR90
1 11/16"-12	1 11/16"-12	44.7	44.7	41.0	250	20MFFOR-20MFFOR90
2"-12	2"-12	48.8	48.8	50.0	250	24MFFOR-24MFFOR90

ORFS MFFOR-MFFORBKHD

SAE flat face O-Ring male / male straight bulkhead

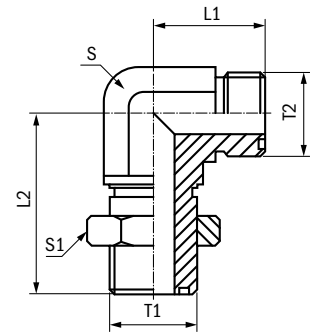


THREAD		LENGTH	HEX/FLATS	WORKING PRESSURE	ADAPTOR
T1	T2	L	S & S1	WP	REF.
ORFS	ORFS	mm	mm	bar	ORFS
9/16"-18	9/16"-18	48.3	22.0	630	4MFFOR-4MFFORBKHD
1 1/16"-16	1 1/16"-16	53.1	27.0	630	6MFFOR-6MFFORBKHD
1 3/16"-16	1 3/16"-16	58.4	30.0	630	8MFFOR-8MFFORBKHD
1"-14	1"-14	66.6	36.0	400	10MFFOR-10MFFORBKHD
1 3/16"-12	1 3/16"-12	69.1	41.0	400	12MFFOR-12MFFORBKHD
1 7/16"-12	1 7/16"-12	70.1	46.0	400	16MFFOR-16MFFORBKHD
1 11/16"-12	1 11/16"-12	70.1	50.0	250	20MFFOR-20MFFORBKHD
2"-12	2"-12	70.1	60.0	250	24MFFOR-24MFFORBKHD



ORFS MFFOR-MFFORBKHD90

SAE flat face O-Ring male / male bulkhead 90° union elbow with lock nut



THREAD		LENGTH		HEX/FLATS		WORKING PRESSURE	ADAPTOR
T1	T2	L1	L2	S	S1	WP	REF.
ORFS	ORFS	mm	mm	mm	mm	bar	ORFS
9/16"-18	9/16"-18	22.6	47.0	14.0	22.0	630	4MFFOR-4MFFORBKHD90
1 1/16"-16	1 1/16"-16	26.0	52.0	19.0	27.0	630	6MFFOR-6MFFORBKHD90
1 3/16"-16	1 3/16"-16	29.0	55.4	19.0	30.0	630	8MFFOR-8MFFORBKHD90
1"-14	1"-14	34.5	63.0	27.0	36.0	400	10MFFOR-10MFFORBKHD90
1 3/4"-12	1 3/4"-12	38.5	67.2	30.0	41.0	400	12MFFOR-12MFFORBKHD90
1 7/16"-12	1 7/16"-12	42.4	71.1	36.0	46.0	400	16MFFOR-16MFFORBKHD90
1 1 1/16"-12	1 1 1/16"-12	45.5	75.4	41.0	50.0	250	20MFFOR-20MFFORBKHD90
2"-12	2"-12	49.5	79.5	48.0	60.0	250	24MFFOR-24MFFORBKHD90

INTRODUCTION

BSP ADAPTORS

JIC ADAPTORS

ORFS ADAPTORS

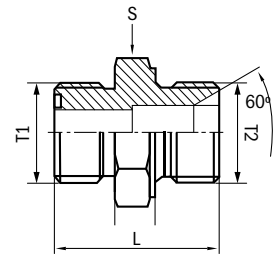
PRESSURE WASH ADAPTORS

QUICK-LOK ADAPTORS



ORFS MFFOR-MBSPP

SAE flat face O-Ring male / male BSPP 60°

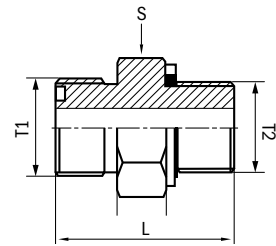


THREAD		LENGTH	HEX/FLATS	WORKING PRESSURE	ADAPTOR
T1	T2	L	S	WP	REF.
ORFS	BSPP	mm	mm	bar	ORFS
9/16"-18	1/8"-28	24.5	17.0	350	4MFFOR-2MBSPP
9/16"-18	1/4"-19	29.0	19.0	350	4MFFOR-4MBSPP
9/16"-18	3/8"-19	29.5	22.0	350	4MFFOR-6MBSPP
9/16"-18	1/2"-14	31.8	27.0	315	4MFFOR-8MBSPP
1 1/16"-16	1/8"-28	28.0	19.0	350	6MFFOR-2MBSPP
1 1/16"-16	1/4"-19	30.0	19.0	350	6MFFOR-4MBSPP
1 1/16"-16	3/8"-19	32.0	22.0	350	6MFFOR-6MBSPP
1 1/16"-16	1/2"-14	35.0	27.0	315	6MFFOR-8MBSPP
1 1/16"-16	3/4"-14	39.0	32.0	250	6MFFOR-12MBSPP
1 3/16"-16	1/4"-19	32.5	22.0	350	8MFFOR-4MBSPP
1 3/16"-16	3/8"-19	32.5	22.0	350	8MFFOR-6MBSPP
1 3/16"-16	1/2"-14	36.5	27.0	315	8MFFOR-8MBSPP
1 3/16"-16	3/4"-14	40.5	32.0	250	8MFFOR-12MBSPP
1"-14	3/8"-19	36.0	27.0	350	10MFFOR-6MBSPP
1"-14	1/2"-14	37.8	27.0	315	10MFFOR-8MBSPP
1"-14	5/8"-14	43.5	30.0	315	10MFFOR-10MBSPP
1"-14	3/4"-14	41.0	32.0	250	10MFFOR-12MBSPP
1"-14	1"-11	49.0	41.0	200	10MFFOR-16MBSPP
1 3/16"-12	1/2"-14	44.0	32.0	315	12MFFOR-8MBSPP
1 3/16"-12	5/8"-14	45.0	32.0	315	12MFFOR-10MBSPP
1 3/16"-12	3/4"-14	45.0	32.0	250	12MFFOR-12MBSPP
1 3/16"-12	1"-11	47.0	41.0	200	12MFFOR-16MBSPP
1 3/16"-12	1 1/4"-11	54.0	50.0	160	12MFFOR-20MBSPP
1 7/16"-12	3/4"-14	44.5	41.0	250	16MFFOR-12MBSPP
1 7/16"-12	1"-11	50.0	41.0	200	16MFFOR-16MBSPP
1 7/16"-12	1 1/4"-11	54.0	50.0	160	16MFFOR-20MBSPP
1 7/16"-12	1 1/2"-11	54.5	55.0	125	16MFFOR-24MBSPP
1 11/16"-12	1"-11	50.0	46.0	200	20MFFOR-16MBSPP
1 11/16"-12	1 1/4"-11	52.0	50.0	160	20MFFOR-20MBSPP
1 11/16"-12	1 1/2"-11	54.5	55.0	125	20MFFOR-24MBSPP
2"-12	1 1/2"-11	54.5	55.0	125	24MFFOR-24MBSPP



ORFS MFFOR-MBSPPCOR

SAE flat face O-Ring male / male BSPP with O-Ring and retaining ring



THREAD		LENGTH	HEX/FLATS	WORKING PRESSURE	ADAPTOR
T1	T2	L	S	WP	REF.
ORFS	BSPP	mm	mm	bar	ORFS
9/16"-18	1/8"-28	25.0	17.0	200	4MFFOR-2MBSPPCOR
9/16"-18	1/4"-19	30.0	19.0	200	4MFFOR-4MBSPPCOR
9/16"-18	3/8"-19	31.0	22.0	200	4MFFOR-6MBSPPCOR
9/16"-18	1/2"-14	34.5	30.0	200	4MFFOR-8MBSPPCOR
1 1/16"-16	1/8"-28	28.5	19.0	630	6MFFOR-2MBSPPCOR
1 1/16"-16	1/4"-19	31.5	19.0	200	6MFFOR-4MBSPPCOR
1 1/16"-16	3/8"-19	32.5	22.0	200	6MFFOR-6MBSPPCOR
1 1/16"-16	1/2"-14	36.0	30.0	200	6MFFOR-8MBSPPCOR
1 1/16"-16	3/4"-14	36.5	36.0	400	6MFFOR-12MBSPPCOR
1 3/16"-16	1/4"-19	33.5	22.0	200	8MFFOR-4MBSPPCOR
1 3/16"-16	3/8"-19	33.5	22.0	200	8MFFOR-6MBSPPCOR
1 3/16"-16	1/2"-14	37.0	30.0	200	8MFFOR-8MBSPPCOR
1 3/16"-16	3/4"-14	38.0	36.0	200	8MFFOR-12MBSPPCOR
1"-14	3/8"-19	37.0	27.0	200	10MFFOR-6MBSPPCOR
1"-14	1/2"-14	39.5	30.0	200	10MFFOR-8MBSPPCOR
1"-14	5/8"-14	41.5	32.0	200	10MFFOR-10MBSPPCOR
1"-14	3/4"-14	43.5	36.0	200	10MFFOR-12MBSPPCOR
1"-14	1"-11	46.0	41.0	400	10MFFOR-16MBSPPCOR
1 3/16"-12	1/2"-14	44.0	32.0	200	12MFFOR-8MBSPPCOR
1 3/16"-12	3/4"-14	45.0	36.0	200	12MFFOR-12MBSPPCOR
1 3/16"-12	1"-11	47.5	41.0	200	12MFFOR-16MBSPPCOR
1 3/16"-12	1 1/4"-11	51.0	50.0	250	12MFFOR-20MBSPPCOR
1 7/16"-12	3/4"-14	43.0	36.0	200	16MFFOR-12MBSPPCOR
1 7/16"-12	1"-11	48.0	46.0	200	16MFFOR-16MBSPPCOR
1 7/16"-12	1 1/4"-11	51.5	50.0	160	16MFFOR-20MBSPPCOR
1 7/16"-12	1 1/2"-11	50.0	55.0	250	16MFFOR-24MBSPPCOR
1 11/16"-12	1"-11	51.5	50.0	200	20MFFOR-16MBSPPCOR
1 11/16"-12	1 1/4"-11	51.5	50.0	160	20MFFOR-20MBSPPCOR
1 11/16"-12	1 1/2"-11	50.0	55.0	250	20MFFOR-24MBSPPCOR
2"-12	1 1/2"-11	50.0	55.0	160	24MFFOR-24MBSPPCOR

INTRODUCTION

BSP ADAPTORS

JIC ADAPTORS

ORFS ADAPTORS

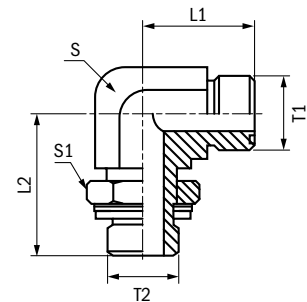
PRESSURE WASH ADAPTORS

QUICK-LOK ADAPTORS



ORFS MFFOR-MBSPPACOR90

SAE flat face O-Ring male / male BSPP 90° elbow with O-Ring and retaining ring

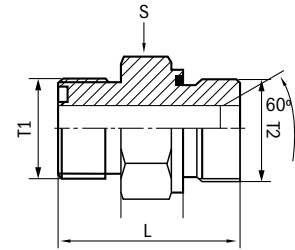


THREAD		LENGTH		HEX/FLATS		WORKING PRESSURE	ADAPTOR
T1	T2	L1	L2	S	S1	WP	REF.
ORFS	BSPP	mm	mm	mm	mm	bar	ORFS
1/16"-18	1/8"-28	21.5	30.0	14.0	14.0	200	4MFFOR-2MBSPPACOR90
1/16"-18	1/4"-19	23.5	35.0	14.0	19.0	200	4MFFOR-4MBSPPACOR90
1/16"-18	3/8"-19	25.0	38.0	19.0	22.0	200	4MFFOR-6MBSPPACOR90
1/16"-16	1/4"-19	25.0	36.0	19.0	19.0	200	6MFFOR-4MBSPPACOR90
1/16"-16	3/8"-19	26.5	38.0	19.0	22.0	200	6MFFOR-6MBSPPACOR90
1/16"-16	1/2"-14	29.5	48.0	22.0	27.0	200	6MFFOR-8MBSPPACOR90
13/16"-16	1/4"-19	28.0	35.0	19.0	19.0	200	8MFFOR-4MBSPPACOR90
13/16"-16	3/8"-19	28.0	36.5	19.0	22.0	200	8MFFOR-6MBSPPACOR90
13/16"-16	1/2"-14	31.0	48.0	27.0	27.0	200	8MFFOR-8MBSPPACOR90
13/16"-16	3/4"-14	30.7	49.0	27.0	36.0	200	8MFFOR-12MBSPPACOR90
1"-14	3/8"-19	35.5	43.0	27.0	22.0	200	10MFFOR-6MBSPPACOR90
1"-14	1/2"-14	33.5	48.0	27.0	27.0	200	10MFFOR-8MBSPPACOR90
1"-14	3/4"-14	36.0	51.5	30.0	36.0	200	10MFFOR-12MBSPPACOR90
1"-14	1"-11	41.2	58.0	36.0	41.0	200	10MFFOR-16MBSPPACOR90
1.3/16"-12	1/2"-14	37.5	49.0	30.0	27.0	200	12MFFOR-8MBSPPACOR90
1.3/16"-12	3/4"-14	37.5	51.5	30.0	36.0	200	12MFFOR-12MBSPPACOR90
1.3/16"-12	1"-11	41.5	58.0	36.0	41.0	200	12MFFOR-16MBSPPACOR90
1.7/16"-12	3/4"-14	42.0	57.5	36.0	36.0	200	16MFFOR-12MBSPPACOR90
1.7/16"-12	1"-11	42.0	58.0	36.0	41.0	200	16MFFOR-16MBSPPACOR90
1.7/16"-12	1.1/4"-11	44.5	60.5	41.0	50.0	160	16MFFOR-20MBSPPACOR90
1.11/16"-12	1"-11	44.7	60.5	41.0	41.0	200	20MFFOR-16MBSPPACOR90
1.11/16"-12	1.1/4"-11	44.7	60.5	41.0	50.0	160	20MFFOR-20MBSPPACOR90
1.11/16"-12	1.1/2"-11	49.0	64.5	48.0	55.0	160	20MFFOR-24MBSPPACOR90
2"-12	1.1/2"-11	49.0	64.5	48.0	55.0	160	24MFFOR-24MBSPPACOR90



ORFS MFFOR-MBSPPWD

SAE flat face O-Ring male / male BSPP with captive seal



THREAD		LENGTH	HEX/FLATS	WORKING PRESSURE	ADAPTOR
T1	T2	L	S	WP	REF.
ORFS	BSPP	mm	mm	bar	ORFS
9/16"-18	1/8"-28	26.0	17.0	630	4MFFOR-2MBSPPWD
9/16"-18	1/4"-19	31.0	19.0	630	4MFFOR-4MBSPPWD
9/16"-18	3/8"-19	31.8	22.0	630	4MFFOR-6MBSPPWD
9/16"-18	1/2"-14	38.0	27.0	400	4MFFOR-8MBSPPWD
1 1/16"-16	1/8"-28	28.0	19.0	630	6MFFOR-2MBSPPWD
1 1/16"-16	1/4"-19	32.5	19.0	630	6MFFOR-4MBSPPWD
1 1/16"-16	3/8"-19	33.5	22.0	630	6MFFOR-6MBSPPWD
1 1/16"-16	1/2"-14	38.5	27.0	400	6MFFOR-8MBSPPWD
1 1/16"-16	3/4"-14	40.5	32.0	400	6MFFOR-12MBSPPWD
1 3/16"-16	1/4"-19	34.5	22.0	630	8MFFOR-4MBSPPWD
1 3/16"-16	3/8"-19	35.3	22.0	630	8MFFOR-6MBSPPWD
1 3/16"-16	1/2"-14	39.0	27.0	400	8MFFOR-8MBSPPWD
1 3/16"-16	3/4"-14	41.8	32.0	400	8MFFOR-12MBSPPWD
1"-14	3/8"-19	38.5	27.0	400	10MFFOR-6MBSPPWD
1"-14	1/2"-14	41.0	27.0	400	10MFFOR-8MBSPPWD
1"-14	5/8"-14	41.5	30.0	400	10MFFOR-10MBSPPWD
1"-14	3/4"-14	45.0	32.0	400	10MFFOR-12MBSPPWD
1"-14	1"-11	47.5	41.0	400	10MFFOR-16MBSPPWD
1.3/16"-12	1/2"-14	44.5	32.0	400	12MFFOR-8MBSPPWD
1.3/16"-12	3/4"-14	46.5	32.0	400	12MFFOR-12MBSPPWD
1.3/16"-12	1"-11	49.0	41.0	400	12MFFOR-16MBSPPWD
1.3/16"-12	1.1/4"-11	53.5	50.0	250	12MFFOR-20MBSPPWD
1.7/16"-12	3/4"-14	47.5	41.0	400	16MFFOR-12MBSPPWD
1.7/16"-12	1"-11	50.0	41.0	400	16MFFOR-16MBSPPWD
1.7/16"-12	1.1/4"-11	53.5	50.0	250	16MFFOR-20MBSPPWD
1.7/16"-12	1.1/2"-11	58.0	55.0	250	16MFFOR-24MBSPPWD
1.1 1/16"-12	1"-11	52.0	46.0	250	20MFFOR-16MBSPPWD
1.1 1/16"-12	1.1/4"-11	55.5	50.0	250	20MFFOR-20MBSPPWD
1.1 1/16"-12	1.1/2"-11	57.6	55.0	250	20MFFOR-24MBSPPWD
2"-12	1.1/2"-11	57.6	55.0	250	24MFFOR-24MBSPPWD

INTRODUCTION

BSP ADAPTORS

JIC ADAPTORS

ORFS ADAPTORS

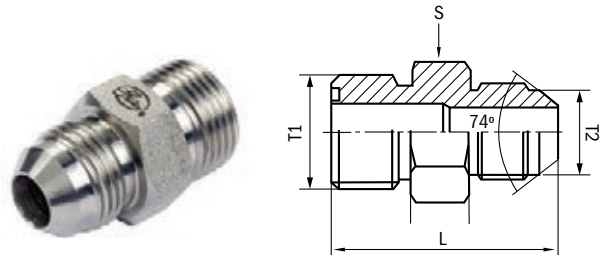
PRESSURE WASH ADAPTORS

QUICK-LOK ADAPTORS



ORFS MFFOR-MJ

SAE flat face O-Ring male / male JIC 37°

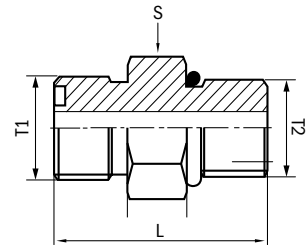


THREAD		LENGTH	HEX/FLATS	WORKING PRESSURE	ADAPTOR
T1	T2	L	S	WP	REF.
ORFS	JIC	mm	mm	bar	ORFS
3/16"-18	7/16"-20	31.7	17.0	350	4MFFOR-4MJ
1 1/16"-16	3/16"-18	34.0	19.0	350	6MFFOR-6MJ
1 3/16"-16	3/4"-16	39.4	22.0	310	8MFFOR-8MJ
1"-14	7/8"-14	46.5	27.0	240	10MFFOR-10MJ
1.3 1/16"-12	1.1 1/16"-12	52.1	32.0	240	12MFFOR-12MJ
1.7 1/16"-12	1.5 1/16"-12	54.9	41.0	210	16MFFOR-16MJ
1.11 1/16"-12	1.5 8"-12	58.2	46.0	170	20MFFOR-20MJ
2"-12	1.7 8"-12	63.0	55.0	140	24MFFOR-24MJ



ORFS MFFOR-MB

SAE flat face O-Ring male /
male SAE 'O' Ring boss

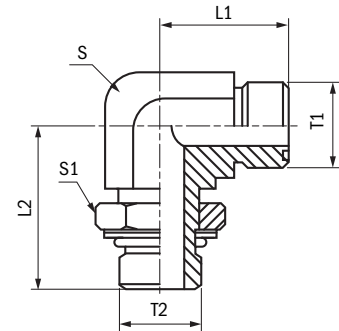


THREAD		LENGTH	HEX/FLATS	WORKING PRESSURE	ADAPTOR
T1	T2	L	S	WP	REF.
ORFS	SAE O	mm	mm	bar	ORFS
1/16"-18	7/16"-20 UNF	28.8	17.0	630	4MFFOR-4MB
1/16"-18	1/2"-20 UNF	29.0	17.0	630	4MFFOR-5MB
1/16"-18	9/16"-18 UNF	30.5	19.0	630	4MFFOR-6MB
1/16"-18	3/4"-16 UNF	33.5	22.0	630	4MFFOR-8MB
1 1/16"-16	7/16"-20 UNF	34.1	19.0	630	6MFFOR-4MB
1 1/16"-16	1/2"-20 UNF	30.8	19.0	630	6MFFOR-5MB
1 1/16"-16	9/16"-18 UNF	32.0	19.0	630	6MFFOR-6MB
1 1/16"-16	3/4"-16 UNF	35.1	22.0	630	6MFFOR-8MB
1 1/16"-16	7/8"-14 UNF	38.8	27.0	630	6MFFOR-10MB
1 1/16"-16	1 1/16"-12 UN	42.8	32.0	400	6MFFOR-12MB
1 3/16"-16	9/16"-18 UNF	37.4	22.0	400	8MFFOR-6MB
1 3/16"-16	3/4"-16 UNF	36.6	22.0	400	8MFFOR-8MB
1 3/16"-16	7/8"-14 UNF	40.5	27.0	400	8MFFOR-10MB
1 3/16"-16	1 1/16"-12 UN	45.4	32.0	400	8MFFOR-12MB
1 3/16"-16	1 5/16"-12 UN	45.6	41.0	400	8MFFOR-16MB
1"-14	3/4"-16 UNF	45.2	27.0	400	10MFFOR-8MB
1"-14	7/8"-14 UNF	43.0	27.0	400	10MFFOR-10MB
1"-14	1 1/16"-12 UN	47.2	32.0	400	10MFFOR-12MB
1 3/16"-12	3/4"-16 UNF	48.5	32.0	400	12MFFOR-8MB
1 3/16"-12	7/8"-14 UNF	50.6	32.0	400	12MFFOR-10MB
1 3/16"-12	1 1/16"-12 UN	48.6	32.0	400	12MFFOR-12MB
1 3/16"-12	1 5/16"-12 UN	49.5	41.0	400	12MFFOR-16MB
1 7/16"-12	1 1/16"-12 UN	54.4	41.0	400	16MFFOR-12MB
1 7/16"-12	1 5/16"-12 UN	50.3	41.0	400	16MFFOR-16MB
1 7/16"-12	1 5/8"-12 UN	52.5	50.0	250	16MFFOR-20MB
1 1 1/16"-12	1 5/16"-12 UN	57.9	46.0	250	20MFFOR-16MB
1 1 1/16"-12	1 5/8"-12 UN	52.5	50.0	250	20MFFOR-20MB
1 1 1/16"-12	1 7/8"-12 UN	54.0	55.0	250	20MFFOR-24MB
2"-12	1 5/8"-12 UN	59.6	55.0	250	24MFFOR-20MB
2"-12	1 7/8"-12 UN	54.1	55.0	250	24MFFOR-24MB
2"-12	2 1/2"-12 UN	54.2	70.0	125	24MFFOR-32MB



ORFS MFFOR-MBA90

SAE flat face O-Ring male /
male SAE 'O' Ring boss 90° elbow

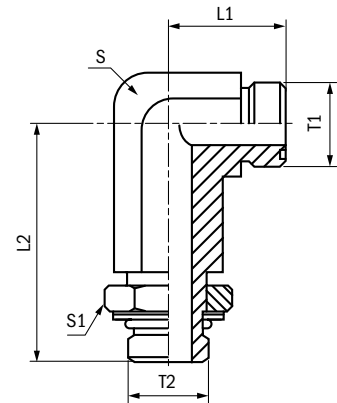
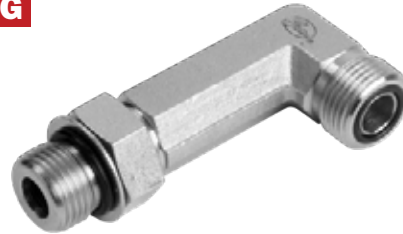


THREAD		LENGTH		HEX/FLATS		WORKING PRESSURE	ADAPTOR
T1	T2	L1	L2	S	S1	WP	REF.
ORFS	SAE O	mm	mm	mm	mm	bar	ORFS
3/16"-18	7/16"-20 UNF	21.5	32.7	14.0	17.0	630	4MFFOR-4MBA90
3/16"-18	3/16"-18 UNF	23.4	36.8	19.0	19.0	630	4MFFOR-6MBA90
3/16"-18	3/4"-16 UNF	24.6	40.6	19.0	24.0	630	4MFFOR-8MBA90
1 1/16"-16	7/16"-20 UNF	25.0	35.0	19.0	17.0	630	6MFFOR-4MBA90
1 1/16"-16	3/16"-18 UNF	24.9	36.8	19.0	19.0	630	6MFFOR-6MBA90
1 1/16"-16	3/4"-16 UNF	26.5	40.6	19.0	24.0	630	6MFFOR-8MBA90
1 1/16"-16	7/8"-14 UNF	30.0	50.0	27.0	27.0	630	6MFFOR-10MBA90
1 1/16"-16	1 1/16"-12 UN	31.8	55.1	30.0	36.0	400	6MFFOR-12MBA90
1 3/16"-16	3/16"-18 UNF	28.0	36.6	19.0	19.0	630	8MFFOR-6MBA90
1 3/16"-16	3/4"-16 UNF	28.0	40.6	19.0	24.0	630	8MFFOR-8MBA90
1 3/16"-16	7/8"-14 UNF	31.5	50.0	27.0	27.0	630	8MFFOR-10MBA90
1 3/16"-16	1 1/16"-12 UN	34.0	55.0	30.0	36.0	400	8MFFOR-12MBA90
1"-14	3/4"-16 UNF	33.5	46.0	27.0	24.0	400	10MFFOR-8MBA90
1"-14	7/8"-14 UNF	33.3	50.0	27.0	27.0	400	10MFFOR-10MBA90
1"-14	1 1/16"-12 UN	35.8	55.1	30.0	36.0	400	10MFFOR-12MBA90
1.3 1/16"-12	3/4"-16 UNF	37.5	46.5	30.0	24.0	400	12MFFOR-8MBA90
1.3 1/16"-12	7/8"-14 UNF	37.5	50.9	30.0	27.0	400	12MFFOR-10MBA90
1.3 1/16"-12	1 1/16"-12 UN	37.5	55.0	30.0	36.0	400	12MFFOR-12MBA90
1.3 1/16"-12	1.5 1/16"-12 UN	41.0	59.7	36.0	41.0	400	12MFFOR-16MBA90
1.7 1/16"-12	1.1 1/16"-12 UN	41.7	58.9	36.0	36.0	400	16MFFOR-12MBA90
1.7 1/16"-12	1.5 1/16"-12 UN	41.7	59.7	36.0	41.0	400	16MFFOR-16MBA90
1.7 1/16"-12	1.5 8"-12 UN	44.7	62.2	41.0	50.0	250	16MFFOR-20MBA90
1.1 1/16"-12	1.5 1/16"-12 UN	44.7	62.2	41.0	41.0	250	20MFFOR-16MBA90
1.1 1/16"-12	1.5 8"-12 UN	44.5	62.0	41.0	50.0	250	20MFFOR-20MBA90
1.1 1/16"-12	1.7 8"-12 UN	48.8	65.8	50.0	55.0	200	20MFFOR-24MBA90
2"-12	1.5 8"-12 UN	49.0	66.0	50.0	50.0	250	24MFFOR-20MBA90
2"-12	1.7 8"-12 UN	49.0	66.0	50.0	55.0	250	24MFFOR-24MBA90



ORFS MFFOR-MBA90 LONG

SAE flat face O-Ring male / male SAE 'O'
Ring boss 90° elbow long version



THREAD		LENGTH		HEX/FLATS		WORKING PRESSURE	ADAPTOR
T1	T2	L1	L2	S	S1	WP	REF.
ORFS	SAE O	mm	mm	mm	mm	bar	ORFS
3/16"-18	7/16"-20 UNF	21.6	56.6	14.0	17.0	630	4MFFOR-4MBA90 LONG
3/16"-18	3/16"-18 UNF	23.4	66.3	19.0	19.0	630	4MFFOR-6MBA90 LONG
1 1/16"-16	3/16"-18 UNF	25.0	66.3	19.0	19.0	630	6MFFOR-6MBA90 LONG
1 1/16"-16	3/4"-16 UNF	26.4	74.9	19.0	24.0	630	6MFFOR-8MBA90 LONG
1 3/16"-16	3/4"-16 UNF	28.0	74.9	19.0	24.0	630	8MFFOR-8MBA90 LONG
1 3/16"-16	7/8"-14 UNF	30.7	89.2	27.0	27.0	400	8MFFOR-10MBA90 LONG
1"-14	7/8"-14 UNF	33.3	89.2	27.0	27.0	400	10MFFOR-10MBA90 LONG
1"-14	1 1/16"-12 UN	35.8	100.8	30.0	36.0	400	10MFFOR-12MBA90 LONG
1 3/16"-12	1 1/16"-12 UN	37.3	100.8	30.0	36.0	400	12MFFOR-12MBA90 LONG
1 3/16"-12	1 5/16"-12 UN	41.2	114.6	36.0	41.0	400	12MFFOR-16MBA90 LONG
1 7/16"-12	1 5/16"-12 UN	41.7	114.6	36.0	41.0	400	16MFFOR-16MBA90 LONG
1 7/16"-12	1 5/8"-12 UN	44.7	126.5	41.0	50.0	250	16MFFOR-20MBA90 LONG
1 1 1/16"-12	1 5/8"-12 UN	44.7	126.5	41.0	50.0	250	20MFFOR-20MBA90 LONG
2"-12	1 7/8"-12 UN	48.8	139.2	48.0	55.0	250	24MFFOR-24MBA90 LONG

INTRODUCTION

BSP ADAPTORS

JIC ADAPTORS

ORFS ADAPTORS

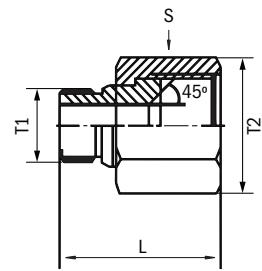
PRESSURE WASH ADAPTORS

QUICK-LOK ADAPTORS



ORFS MFFOR-FFORX

SAE flat face O-Ring female swivel / male

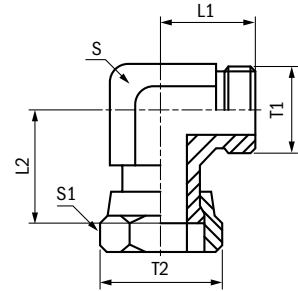


THREAD		LENGTH	HEX/FLATS	WORKING PRESSURE	ADAPTOR
T1	T2	L	S	WP	REF.
ORFS	ORFS F	mm	mm	bar	ORFS
3/16"-18	3/16"-18	18.6	17.0	630	4MFFOR-4FFORX
3/16"-18	1 1/16"-16	19.6	22.0	630	4MFFOR-6FFORX
3/16"-18	1 3/16"-16	21.8	24.0	630	4MFFOR-8FFORX
3/16"-18	1"-14	22.9	30.0	400	4MFFOR-10FFORX
3/16"-18	1 3/16"-12	24.9	36.0	400	4MFFOR-12FFORX
1 1/16"-16	3/16"-18	17.8	17.0	630	6MFFOR-4FFORX
1 1/16"-16	1 1/16"-16	20.5	22.0	630	6MFFOR-6FFORX
1 1/16"-16	1 3/16"-16	22.4	24.0	630	6MFFOR-8FFORX
1 3/16"-16	1"-14	24.2	30.0	400	6MFFOR-10FFORX
1 1/16"-16	1 3/16"-12	26.2	36.0	400	6MFFOR-12FFORX
1 1/16"-16	1 7/16"-12	27.6	41.0	400	6MFFOR-16FFORX
1 3/16"-16	1"-14	25.7	30.0	400	8MFFOR-10FFORX
1 3/16"-16	1 3/16"-12	27.7	36.0	400	8MFFOR-12FFORX
1 3/16"-16	1 7/16"-12	29.2	41.0	400	8MFFOR-16FFORX
1"-14	1 3/16"-12	30.4	36.0	400	10MFFOR-12FFORX
1"-14	1 7/16"-12	31.9	41.0	400	10MFFOR-16FFORX
1 3/16"-12	1 7/16"-12	33.0	41.0	400	12MFFOR-16FFORX
1 3/16"-12	1 1 1/16"-12	33.5	50.0	250	12MFFOR-20FFORX
1 7/16"-12	1 1 1/16"-12	38.5	50.0	250	16MFFOR-20FFORX
1 7/16"-12	2"-12	34.0	60.0	250	16MFFOR-24FFORX
1 1 1/16"-12	2"-12	34.0	60.0	250	20MFFOR-24FFORX



ORFS MFFOR-FFORX90

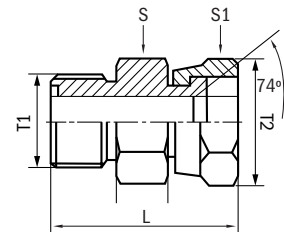
SAE flat face O-Ring male / female swivel 90° elbow



THREAD		LENGTH		HEX/FLATS		WORKING PRESSURE	ADAPTOR
T1	T2	L1	L2	S	S1	WP	REF.
ORFS	ORFS F	mm	mm	mm	mm	bar	ORFS
9/16"-18	9/16"-18	21.6	26.4	14.0	17.0	630	4MFFOR-4FFORX90
1 1/16"-16	1 1/16"-16	24.9	29.2	19.0	22.0	630	6MFFOR-6FFORX90
1 3/16"-16	1 3/16"-16	28.0	38.0	19.0	24.0	630	8MFFOR-8FFORX90
1"-14	1"-14	33.3	41.2	27.0	30.0	400	10MFFOR-10FFORX90
1 3/16"-12	1 3/16"-12	37.5	46.5	30.0	36.0	400	12MFFOR-12FFORX90
1 7/16"-12	1 7/16"-12	41.7	53.3	36.0	41.0	400	16MFFOR-16FFORX90
1 11/16"-12	1 11/16"-12	44.7	58.2	41.0	50.0	250	20MFFOR-20FFORX90
2"-12	2"-12	48.8	61.2	48.0	60.0	250	24MFFOR-24FFORX90

ORFS MFFOR-FJX

SAE flat face O-Ring male / female swivel JIC 37°



THREAD		LENGTH	HEX/FLATS		WORKING PRESSURE	ADAPTOR
T1	T2	L	S	S1	WP	REF.
ORFS	JIC F	mm	mm	mm	bar	ORFS
9/16"-18	7/16"-20	25.7	17.0	14.0	350	4MFFOR-4FJX
1 1/16"-16	9/16"-18	30.2	19.0	19.0	350	6MFFOR-6FJX
1 3/16"-16	3/4"-16	34.2	22.0	22.0	310	8MFFOR-8FJX
1"-14	7/8"-14	38.0	27.0	27.0	240	10MFFOR-10FJX
1 3/16"-12	1 1/16"-12	43.4	32.0	32.0	240	12MFFOR-12FJX
1 7/16"-12	1 5/16"-12	47.4	41.0	41.0	210	16MFFOR-16FJX
1 11/16"-12	1 5/8"-12	50.0	46.0	50.0	170	20MFFOR-20FJX
2"-12	1 7/8"-12	52.0	55.0	60.0	140	24MFFOR-24FJX

INTRODUCTION

BSP ADAPTORS

JIC ADAPTORS

ORFS ADAPTORS

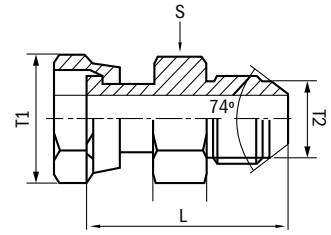
PRESSURE WASH ADAPTORS

QUICK-LOK ADAPTORS



ORFS FFORX-MJ

SAE flat face O-Ring female swivel / male JIC 37°

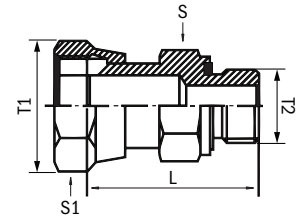


THREAD		LENGTH	HEX/FLATS		WORKING PRESSURE	ADAPTOR
T1	T2	L	S	S1	WP	REF.
ORFS F	JIC	mm	mm	mm	bar	ORFS
3/16"-18	7/16"-20	40.1	17.0	17.0	350	4FFORX-4MJ
1 1/16"-16	9/16"-18	42.0	19.0	22.0	350	6FFORX-6MJ
1 3/16"-16	3/4"-16	48.3	22.0	24.0	310	8FFORX-8MJ
1"-14	7/8"-14	57.1	27.0	30.0	240	10FFORX-10MJ
1.3/16"-12	1.1/16"-12	63.5	32.0	36.0	240	12FFORX-12MJ
1.7/16"-12	1.5/16"-12	67.3	41.0	41.0	210	16FFORX-16MJ
1.1 1/16"-12	1.5/8"-12	73.4	50.0	50.0	170	20FFORX-20MJ
2"-12	1.7/8"-12	71.0	50.0	60.0	140	24FFORX-24MJ



ORFS FFORX-MBSPPWD

SAE flat face O-Ring female swivel /
male BSPP with captive seal

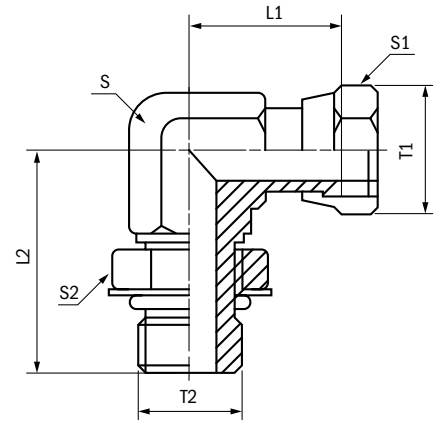


THREAD		LENGTH	HEX/FLATS		WORKING PRESSURE	ADAPTOR
T1	T2	L	S	S1	WP	REF.
ORFS F	BSPP	mm	mm	mm	bar	ORFS
9/16"-18	1/8"-28	34.0	14.0	17.0	630	4FFORX-2MBSPPWD
9/16"-18	1/4"-19	38.0	19.0	17.0	630	4FFORX-4MBSPPWD
9/16"-18	3/8"-19	37.8	22.0	17.0	630	4FFORX-6MBSPPWD
1 1/16"-16	1/4"-19	40.0	19.0	22.0	630	6FFORX-4MBSPPWD
1 1/16"-16	3/8"-19	40.0	22.0	22.0	630	6FFORX-6MBSPPWD
1 1/16"-16	1/2"-14	46.0	27.0	22.0	400	6FFORX-8MBSPPWD
1 3/16"-16	1/4"-19	47.0	22.0	24.0	630	8FFORX-4MBSPPWD
1 3/16"-16	3/8"-19	47.0	22.0	24.0	630	8FFORX-6MBSPPWD
1 3/16"-16	1/2"-14	49.0	27.0	24.0	400	8FFORX-8MBSPPWD
1 3/16"-16	3/4"-14	51.0	32.0	24.0	400	8FFORX-12MBSPPWD
1"-14	5/8"-14	52.0	30.0	30.0	400	10FFORX-10MBSPPWD
1"-14	3/4"-14	54.0	32.0	30.0	400	10FFORX-12MBSPPWD
1 3/16"-12	1/2"-14	55.0	30.0	36.0	400	12FFORX-8MBSPPWD
1 3/16"-12	3/4"-14	57.0	32.0	36.0	400	12FFORX-12MBSPPWD
1 7/16"-12	3/4"-14	66.0	36.0	41.0	400	16FFORX-12MBSPPWD
1 7/16"-12	1"-11	67.0	41.0	41.0	400	16FFORX-16MBSPPWD
1 1 1/16"-12	1"-11	67.0	41.0	50.0	250	20FFORX-16MBSPPWD
1 1 1/16"-12	1 1/4"-11	69.0	50.0	50.0	250	20FFORX-20MBSPPWD
2"-12	1 1/2"-11	72.0	55.0	60.0	250	24FFORX-24MBSPPWD



ORFS FFORX-MBA90

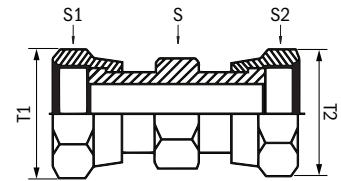
SAE flat face O-Ring female swivel / male SAE 'O' Ring boss 90° elbow



THREAD		LENGTH		HEX/FLATS			WORKING PRESSURE	ADAPTOR
T1	T2	L1	L2	S	S1	S2	WP	REF.
ORFS F	SAE O	mm	mm	mm	mm	mm	bar	ORFS
3/16"-18	7/16"-20 UNF	26.4	32.8	14.0	17.0	17.0	315	4FFORX-4MBA90
1 1/16"-16	3/4"-18 UNF	31.0	36.8	19.0	22.0	19.0	315	6FFORX-6MBA90
1 3/16"-16	7/8"-16 UNF	38.0	40.5	19.0	24.0	24.0	315	8FFORX-8MBA90
1"-14	1 1/8"-14 UNF	41.2	50.0	27.0	30.0	27.0	250	10FFORX-10MBA90
1 3/16"-12	1 1/2"-12 UN	46.5	55.0	30.0	36.0	36.0	250	12FFORX-12MBA90
1 7/16"-12	1 5/8"-12 UN	53.5	59.5	36.0	41.0	41.0	200	16FFORX-16MBA90
1 11/16"-12	1 7/8"-12 UN	58.2	62.2	41.0	50.0	50.0	160	20FFORX-20MBA90
2"-12	2 1/8"-12 UN	58.8	66.0	48.0	60.0	55.0	160	24FFORX-24MBA90

ORFS FFORX-FFORX

SAE flat face O-Ring female swivel / female swivel

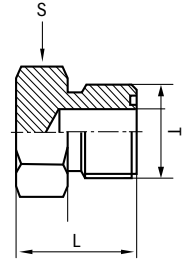


THREAD		LENGTH	HEX/FLATS		WORKING PRESSURE	ADAPTOR
T1	T2	L	S	S1 & S2	WP	REF.
ORFS F	ORFS F	mm	mm	mm	bar	ORFS
3/16"-18	3/16"-18	40.0	17.0	17.0	630	4FFORX-4FFORX
1 1/16"-16	1 1/16"-16	46.0	19.0	22.0	630	6FFORX-6FFORX
1 3/16"-16	1 3/16"-16	53.8	22.0	24.0	630	8FFORX-8FFORX
1"-14	1"-14	61.0	27.0	30.0	400	10FFORX-10FFORX
1 3/16"-12	1 3/16"-12	68.0	32.0	36.0	400	12FFORX-12FFORX
1 7/16"-12	1 7/16"-12	70.0	36.0	41.0	400	16FFORX-16FFORX
1 11/16"-12	1 11/16"-12	76.0	46.0	50.0	250	20FFORX-20FFORX
2"-12	2"-12	80.0	55.0	60.0	250	24FFORX-24FFORX



ORFS MFFOR-PLUG

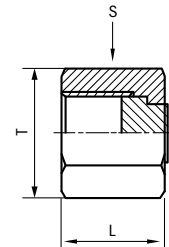
SAE flat face O-Ring male plug



THREAD	LENGTH	HEX/FLATS	WORKING PRESSURE	ADAPTOR
T	L	S	WP	REF.
ORFS	mm	mm	bar	ORFS
3/16"-18	16.7	17.0	630	4MFFOR-PLUG
1/16"-16	19.1	19.0	630	6MFFOR-PLUG
3/16"-16	21.7	22.0	630	8MFFOR-PLUG
1"-14	25.9	27.0	400	10MFFOR-PLUG
1.3/16"-12	27.4	32.0	400	12MFFOR-PLUG
1.7/16"-12	27.9	41.0	400	16MFFOR-PLUG
1.1/16"-12	27.9	46.0	250	20MFFOR-PLUG
2"-12	27.9	55.0	250	24MFFOR-PLUG

ORFS FFORX-CAP

SAE flat face O-Ring female swivel cap

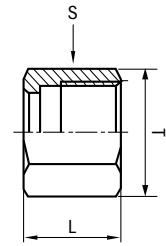


THREAD	LENGTH	HEX/FLATS	WORKING PRESSURE	ADAPTOR
T	L	S	WP	REF.
ORFS F	mm	mm	bar	ORFS
3/16"-18	14.8	17.0	630	4FFORX-CAP
1/16"-16	17.0	22.0	630	6FFORX-CAP
3/16"-16	31.0	24.0	630	8FFORX-CAP
1"-14	23.5	30.0	400	10FFORX-CAP
1.3/16"-12	26.0	36.0	400	12FFORX-CAP
1.7/16"-12	27.8	41.0	400	16FFORX-CAP
1.1/16"-12	27.8	50.0	250	20FFORX-CAP
2"-12	27.8	60.0	250	24FFORX-CAP



ORFS FFOR-NUT

SAE flat face O-Ring nut



THREAD	LENGTH	HEX/FLATS	WORKING PRESSURE	ADAPTOR
T	L	S	WP	REF.
ORFS F	mm	mm	bar	ORFS
9/16"-18	14.7	17.0	630	4FFOR-NUT
1 1/16"-16	17.0	22.0	630	6FFOR-NUT
1 3/16"-16	21.0	24.0	630	8FFOR-NUT
1"-14	23.5	30.0	400	10FFOR-NUT
1 3/16"-12	26.5	36.0	400	12FFOR-NUT
1 7/16"-12	27.8	41.0	400	16FFOR-NUT
1 11/16"-12	27.8	50.0	250	20FFOR-NUT
2"-12	27.8	60.0	250	24FFOR-NUT





DRIVEN BY POSSIBILITY™

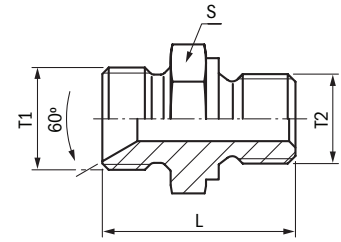
PRESSURE WASH ADAPTORS





MBSP-MM BRASS

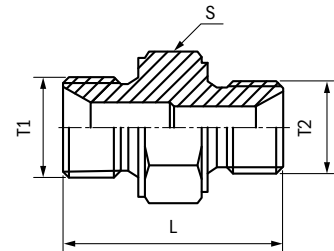
BSPP 60° male / male metric



THREAD		LENGTH	HEX/FLATS	ADAPTOR
T1	T2	L	S	REF.
BSPP	METRIC	mm	mm	BSP
1/4"-19	M22x1.5	29.0	22.0	4MBSP-22MM BRASS
3/8"-19	M22x1.5	29.0	22.0	6MBSP-22MM BRASS
1/2"-14	M22x1.5	29.0	22.0	8MBSP-22MM BRASS

MM-MM BRASS

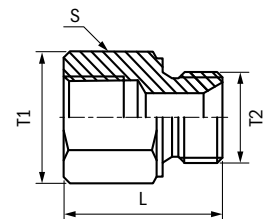
Metric male / male



THREAD		LENGTH	HEX/FLATS	ADAPTOR
T1	T2	L	S	REF.
METRIC	METRIC	mm	mm	BSP
M22x1.5	M22x1.5	54.0	27.0	22MM-22MM BRASS

FBSPP-MM BRASS

BSPP 60° female / male metric



THREAD		LENGTH	HEX/FLATS	ADAPTOR
T1	T2	L	S	REF.
BSPP F	METRIC	mm	mm	BSP
1/8"-28	M22x1.5	29.0	22.0	2FBSPP-22MM BRASS
1/4"-19	M22x1.5	29.0	22.0	4FBSPP-22MM BRASS
3/8"-19	M22x1.5	29.0	22.0	6FBSPP-22MM BRASS

INTRODUCTION
 BSP ADAPTORS
 JIC ADAPTORS
 ORFS ADAPTORS
 PRESSURE WASH ADAPTORS
 QUICK-LOK ADAPTORS







DRIVEN BY POSSIBILITY™

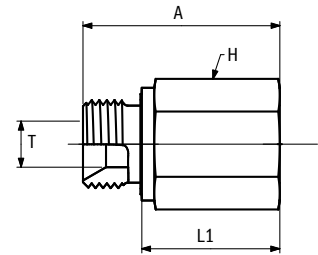
QUICK-LOK ADAPTORS







BSP MBSP-FQLH

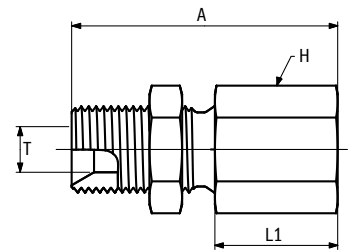
Quick-Lok high adaptor BSP MBSP to QLH.
Male BSPP thread with captive seal. 60° cone.
DIN 3852-11 form e. ISO 1179-2.





						ADAPTOR	
T1	T2	A	L1	H	T	REF.	
FQLH	BSPP	mm	mm	mm	mm	QLH	
4FQLH	G1/4" - 19 BSPP	44.5	32.5	22.0	4.7	4FQLH-4MBSPPCSC	
6FQLH	G3/8" - 19 BSPP	44.7	32.7	22.0	8.2	6FQLH-6MBSPPCSC	
8FQLH	G1/2" - 14 BSPP	47.0	33.0	27.0	11.0	8FQLH-8MBSPPCSC	
12FQLH	G3/4" - 14 BSPP	49.2	33.2	36.0	16.7	12FQLH-12MBSPPCSC	
16FQLH	G1" - 11 BSPP	51.0	33.0	41.0	22.2	16FQLH-16MBSPPCSC	

BSP MBSPBKHD-FQLH

Quick-Lok high adaptor BSP MBSPBKHD to QLH.
Male BSPP thread.
Bulkhead. 60° cone.



						ADAPTOR	
T1	T2	A	L1	H	T	REF.	
FQLH	BSPP	mm	mm	mm	mm	QLH	
4FQLH	G1/4" - 19 BSPP	62.0	30.0	19.0	4.7	4FQLH-4MBSPPBKHD	
6FQLH	G3/8" - 19 BSPP	62.0	30.0	22.0	8.2	6FQLH-6MBSPPBKHD	
8FQLH	G1/2" - 14 BSPP	65.0	30.0	27.0	11.0	8FQLH-8MBSPPBKHD	
12FQLH	G3/4" - 14 BSPP	68.0	30.0	36.0	16.7	12FQLH-12MBSPPBKHD	
16FQLH	G1" - 11 BSPP	71.0	30.0	41.0	22.2	16FQLH-16MBSPPBKHD	

INTRODUCTION

BSP ADAPTORS

JIC ADAPTORS

ORFS ADAPTORS

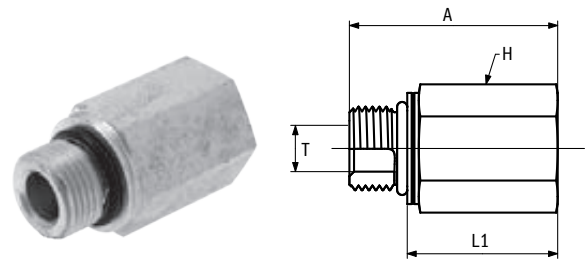
PRESSURE WASH
ADAPTORS



QUICK-LOK
ADAPTORS



DIN MMOR-FQLH

Quick-Lok high adaptor DIN MMOR to QLH.
Male metric thread with O-Ring. ISO 6149-2, -3.

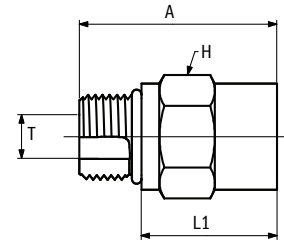


						ADAPTOR
T1	T2	A	L1	H	T	REF.
FQLH	METRIC	mm	mm	mm	mm	QLH
4FQLH	M12x1.5	43.5	32.5	19.0	6.0	4FQLH-12MMOR
4FQLH	M14x1.5	43.5	32.5	22.0	7.0	4FQLH-14MMOR
6FQLH	M14x1.5	43.5	32.5	22.0	7.0	6FQLH-14MMOR
6FQLH	M16x1.5	45.0	32.5	22.0	9.0	6FQLH-16MMOR
6FQLH	M18x1.5	45.0	32.5	24.0	10.0	6FQLH-18MMOR
8FQLH	M18x1.5	45.0	32.5	24.0	10.0	8FQLH-18MMOR
8FQLH	M22x1.5	45.5	32.5	27.0	10.0	8FQLH-22MMOR
10FQLH	M22x1.5	45.5	32.5	27.0	14.0	10FQLH-22MMOR
12FQLH	M26x1.5	48.5	32.5	32.0	14.0	12FQLH-26MMOR
12FQLH	M27x2	48.5	32.5	32.0	18.0	12FQLH-27MMOR
16FQLH	M33x2	48.5	32.5	41.0	23.0	16FQLH-33MMOR



SAE MB-FQLH

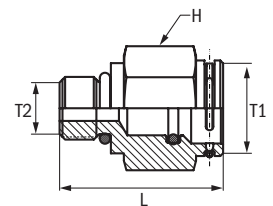
Quick-Lok high adaptor SAE MB "heavy duty" to QLH.
SAE j1926-2. ISO 11926-2.






						ADAPTOR
T1	T2	A	L1	H	T	REF.
FQLH	SAE O	mm	mm	mm	mm	QLH
4FQLH	7/16" - 20 UNF	42.0	31.0	19.0	4.0	4FQLH-4MB
4FQLH	9/16" - 18 UNF	42.0	30.0	19.0	6.8	4FQLH-6MBS
6FQLH	7/16" - 20 UNF	42.0	31.0	22.0	4.5	6FQLH-4MB
6FQLH	9/16" - 18 UNF	43.0	31.0	22.0	7.5	6FQLH-6MBS
6FQLH	3/4" - 16 UNF	43.0	29.0	24.0	10.0	6FQLH-8MB
8FQLH	9/16" - 18 UNF	43.5	31.5	24.0	7.5	8FQLH-6MB
8FQLH	3/4" - 16 UNF	44.5	30.5	24.0	10.0	8FQLH-8MBS
8FQLH	7/8" - 14 UNF	46.0	30.0	27.0	12.7	8FQLH-10MB
10FQLH	3/4" - 16 UNF	47.0	33.0	27.0	10.0	10FQLH-8MB
10FQLH	7/8" - 14 UNF	47.0	31.0	27.0	12.7	10FQLH-10MB
10FQLH	1 1/16" - 12 UN	48.0	29.5	32.0	14.3	10FQLH-12MB
12FQLH	7/8" - 14 UNF	48.0	32.0	32.0	12.7	12FQLH-10MB
12FQLH	1 1/16" - 12 UN	50.0	31.5	32.0	15.5	12FQLH-12MB
12FQLH	1 5/16" - 12 UN	50.0	31.5	41.0	19.8	12FQLH-16MB
16FQLH	1 5/16" - 12 UN	50.0	31.5	41.0	21.0	16FQLH-16MB

SAE MB-FQLL

Quick-Lok low adaptor SAE MB "heavy duty" to QLL.
SAE j1926-2. ISO 11926-2.



				ADAPTOR
T1	T2	L	H	REF.
FQLL	SAE O	mm	mm	QLH
6FQLL	7/16"-20 UNF	29.0	19.0	6FQLL-4MB
6FQLL	7/8"-14 UNF	41.2	27.0	6FQLL-10MB

INTRODUCTION
 BSP ADAPTORS
 JIC ADAPTORS
 ORFS ADAPTORS
 PRESSURE WASH ADAPTORS
 QUICK-LOK ADAPTORS



NOTES





DRIVEN BY POSSIBILITY™

CUSTOMER EXPERIENCE TEAM

TEAMGATESCSIR@GATES.COM

+48718814503 FOR ENGLISH
+48718814504 FOR FRENCH
+48718814505 FOR GERMAN
+48718814506 FOR ITALIAN
+48718814507 FOR SPANISH
+48718814502 FOR POLISH